



THE
F A B R I C
B O X

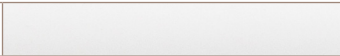

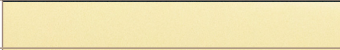
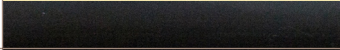
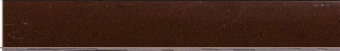



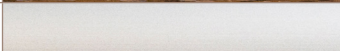
PLEATED & SOFTCELL
J-SERIES

SPECIFICATION (V8)

THE
F A B R I C
B O X

PLEATED & SOFTCELL

J-Series
System Overview

FABRIC COLOUR	71 Cellular 88 Pleated	
FABRIC TYPE	Dimout or Blockout	
RAIL COLOUR	White	
	Anthracite (RAL 7016)	
	Beige	
	Black	
	Brown	
	Dark Oak	
	Golden Oak	
	Nut	
	Silver	
OPERATING SYSTEM	J01- Freehanging Bottom Up	
	J02- Freehanging Top Down Bottom Up	
	J03- Tensioned Bottom Up	
	J04- Tensioned Top Down Bottom Up	
	J05- Tensioned Bottom Up Day/Night	
	J06- Tensioned Bottom Up with Bottom Bar	
	J07- Tensioned Top Down Bottom Up with Bottom Bar	
	J08- Perfect Fit Bottom Up	
	J09- Perfect Fit Top Down Bottom Up	
MINIMUM CONTROL LENGTH	300mm	
DEDUCTION FROM FLOOR FOR CONTROL LENGTH (WHEN INSTALL HEIGHT IS PROVIDED)	1500mm	

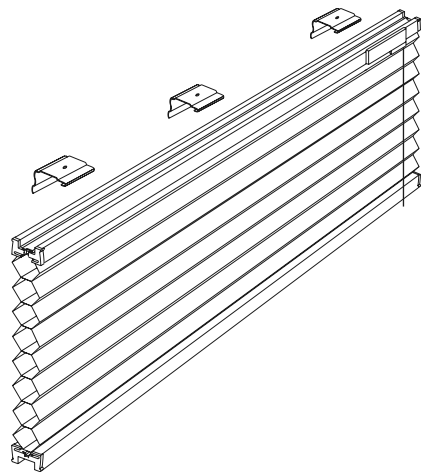
ADDITIONAL INFORMATION:

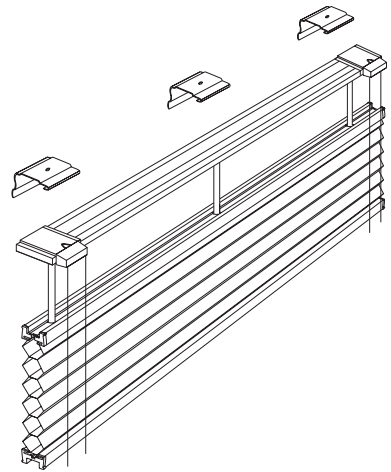
- > Cellular: Cell size: 25mm
- > Pleated: Pleat size 20mm
- > Blinds are produced within an operating tolerance of +/- 3mm (width & drop)
- > On all blinds over 1000mm, reinforced profile will be standard
- > The standard control length on cellular blinds are 2/3 the drop of the blind.
- > If the control length is not within the child safety rules it will be reduced to the max length allowed by child safety.
- > Width deduction of 10mm made on all blinds ordered as recess size.

SYSTEM OPTIONS

FREE-HANGING

Extension rod (1.5m) is available at an additional surcharge.

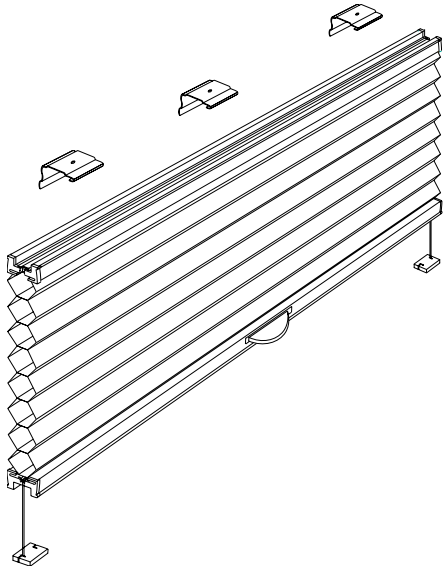
J01 FREE HANGING BOTTOM UP	
Min Width (mm)	300
Min Drop (mm)	150
Max Width (mm)	2200
Max Drop (mm)	2500
Control Options	Cord
Control Positions	Right (Standard) & Left (Optional)
Bracket Options	Top Fix (Standard) & Face Fix (Optional)
Child Safety	Breakaway tassel and cleat
	

J02 FREE HANGING TOP DOWN BOTTOM UP	
Min Width (mm)	300
Min Drop (mm)	150
Max Width (mm)	2200
Max Drop (mm)	2500
Operating System	Cord
Control positions	Dual
Bracket Options	Top Fix (Standard) & Face Fix (Optional)
Child Safety	Breakaway tassel and cleat
	

SYSTEM OPTIONS TENSIONED

*Bowery fabric
Max Width 1200mm
Max Drop 1600mm

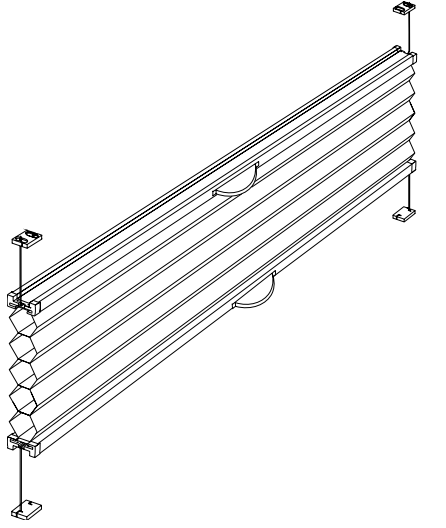
J03 TENSIONED BOTTOM UP	
Min Width (mm)	200
Min Drop (mm)	150
Max Width (mm)	1500
Max Drop (mm)	2500*
Control Options	Handle*
Bracket Options	Top Fix (Standard) & Face Fix (Optional)



Qfitt bracket max size restricted.
Max width 1300mm by 1500mm drop
Max width 800mm by 2100mm drop.

*Bowery fabric
Max Width 1200mm
Max Drop 1600mm

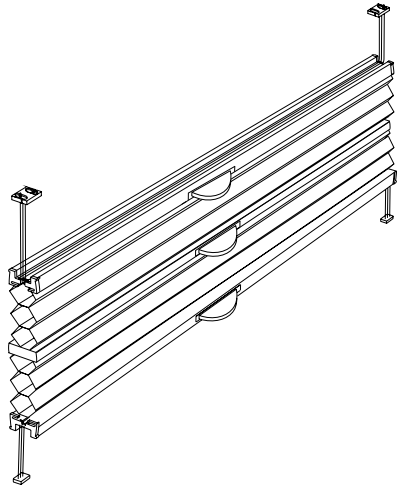
J04 TENSIONED TOP DOWN, BOTTOM UP	
Min Width (mm)	200
Min Drop (mm)	150
Max Width (mm)	1500
Max Drop (mm)	2500*
Control Options	Handle*
Bracket Options	Tensioned Face Fix (Standard), Top Fix (Optional) & QFitt*



SYSTEM OPTIONS TENSIONED

*Bowery fabric
Max Width 1200mm
Max Drop 1600mm

J05 TENSIONED BOTTOM UP DAY/NIGHT	
Min Width (mm)	200
Min Drop (mm)	300
Max Width (mm)	1500
Max Drop (mm)	2500*
Control Options	Handle*
Bracket Options	Top Fix (Standard) & Face Fix (Optional)

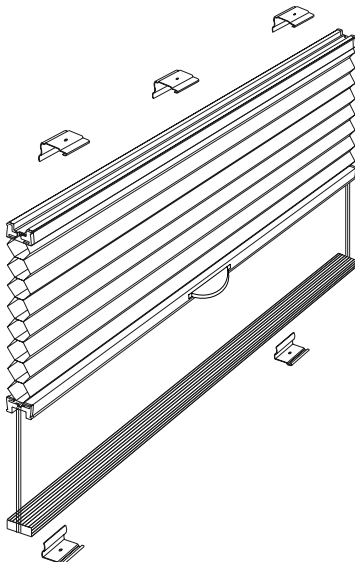


Guide Wires available on J06 System at a surcharge.

When Guide wires are fitted blind can be fitted from vertical to a max angle of 15 degrees from the horizontal.

*Bowery fabric
Max Width 1200mm
Max Drop 1600mm

J06 TENSIONED BOTTOM UP BOTTOM BAR	
Min Width (mm)	200
Min Drop (mm)	200
Max Width (mm)	1500
Max Drop (mm)	2500*
Control Options	Handle*
Bracket Options	Top Fix (Standard), Face Fix (Optional)



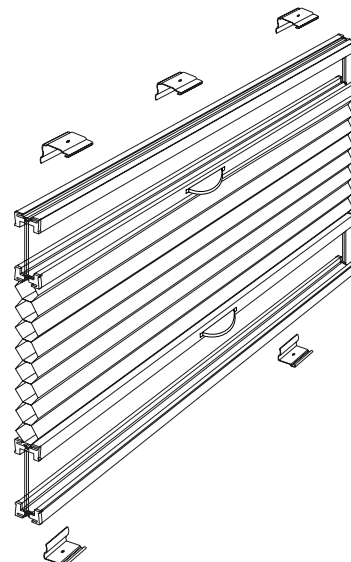
SYSTEM OPTIONS TENSIONED

Guide Wires available on J07 System at a surcharge.

When Guide wires are fitted blind can be fitted from vertical to a max angle of 15 degrees from the horizontal.

*Bowery fabric
Max Width 1200mm
Max Drop 1600mm

J07 TENSIONED TOP DOWN BOTTOM UP BOTTOM BAR	
Min Width (mm)	200
Min Drop (mm)	300
Max Width (mm)	1500
Max Drop (mm)	2500*
Control Options	Handle*
Bracket Options	Top Fix (Standard) & Face Fix (Optional)



THE
F A B R I C
B O X

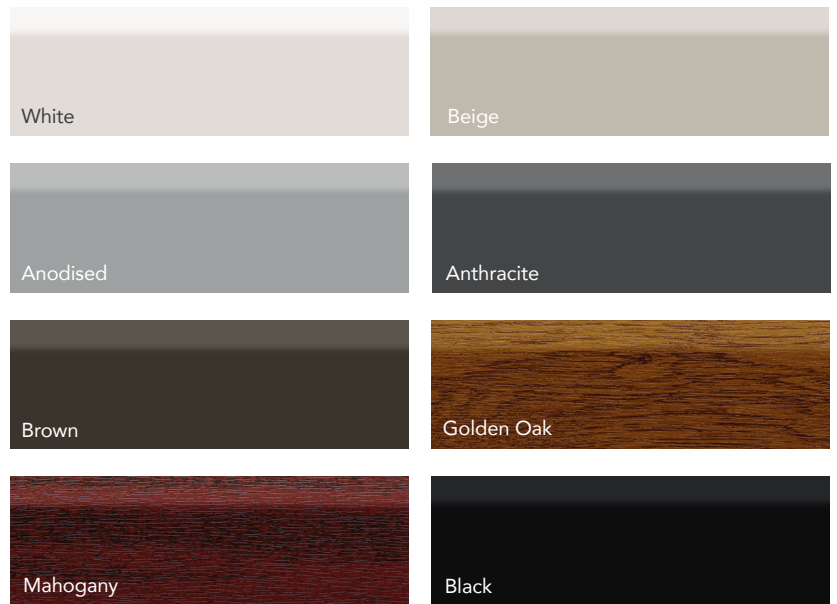
PLEATED & SOFTCELL

J-Series – J08 & J09
Perfect fit specification

THE PERFECT FIT SOFTCELL COLLECTION IS AVAILABLE WITH TENSIONED BOTTOM UP AND TENSIONED TOP DOWN, BOTTOM UP BLINDS. THE PERFECT FIT SYSTEM REMOVES THE NEED FOR SCREWS/HOLE BEING DRILLED INTO THE WINDOW FRAMES OR DOORS.

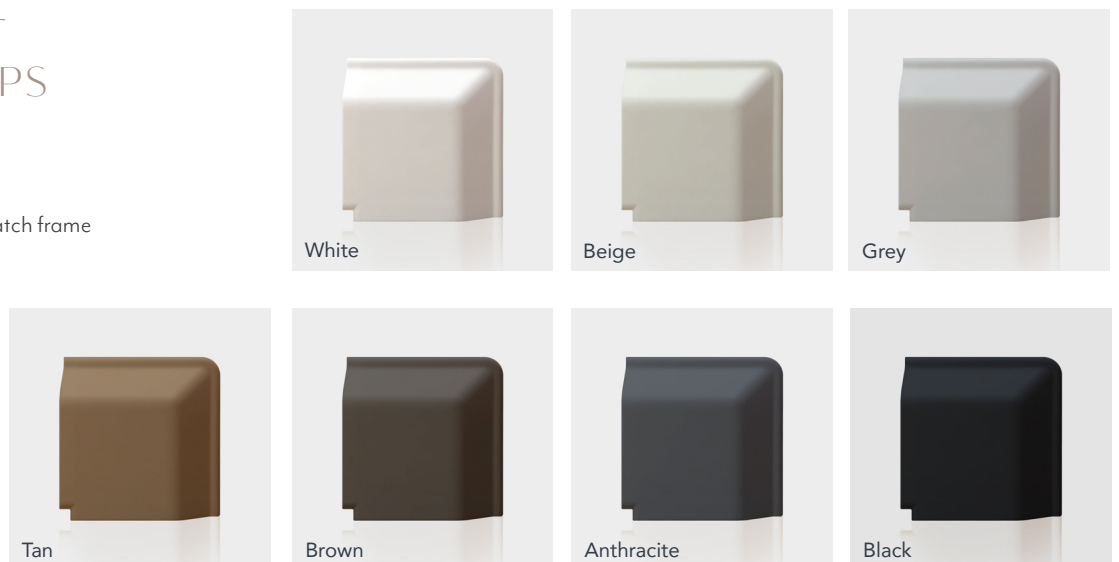
PERFECT FIT
FRAME

Aluminium perfect fit frames
available in 8 colours.



PERFECT FIT
CORNER CAPS

Available in 7 colours to match frame
colours.



SOFTCELL PROFILE

Minimum and Maximum sizes are based on Glass size.

Perfect fit orders must be ordered as Glass size.

Softcell profile is white as standard. Other colours available. Perfect fit profile colour is selected based on the Softcell System Profile selection

When a direct colour match is not available profiles will be matched to a recommended colour.

PROFILE SIZE
(W) 22mm x (H) 19mm

MIN WIDTH	MAX WIDTH
200mm	1500mm*

MIN DROP	MAX DROP
150mm	2500mm*

*Bowery fabric
Max Width 1200mm
Max Drop 1600mm

SOFTCELL SYSTEM PROFILE	PERFECT FIT PROFILE	PERFECT FIT CORNER CAPS	BRACKET COLOUR
White	White	White	White
Silver	Anodised	Grey	White
Beige	White	White	White
Brown	Brown	Brown	Brown
Anthracite	Anthracite	Anthracite	Anthracite
Nut	Brown	Brown	Brown
Dark Oak	Brown	Brown	Brown
Golden Oak	Golden Oak	Tan	Brown
Black	Black	Black	Black

SIDE FRAMES

Two holes are punched into the side frames. Window fixing brackets attach the blind to the window. Anything over 1100mm drop there will be three holes punched.

FIXING BRACKETS

DROP	<1100	>1100
FIXING BRACKETS	4	6

Fixing brackets come along with the blind to fit the blind into the window space.

Window fixing brackets come in 9 sizes:

18mm, 20mm, 22mm, 24mm, 26mm, 28mm, 30mm, 32mm, 38mm

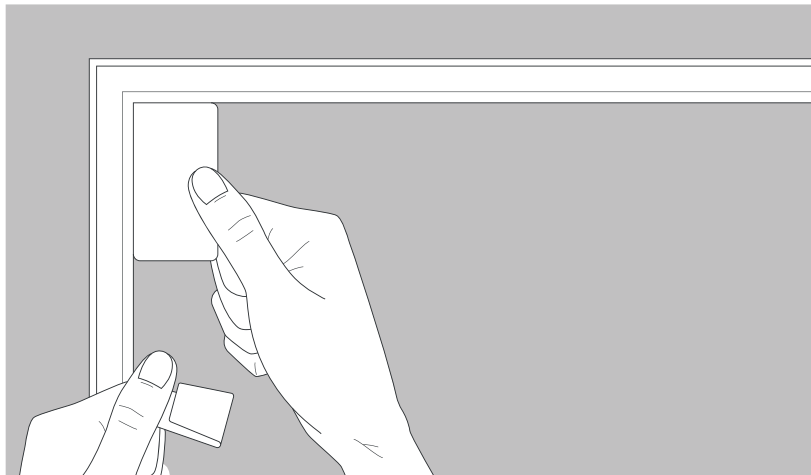
Colours available: White, Brown, Anthracite and Black.



ATTACHING THE BRACKETS

You can use a credit/debit card as a template to find the correct position for the brackets.

Place the card length ways along the side of the window in each corner and line up the bracket with the end of the card.

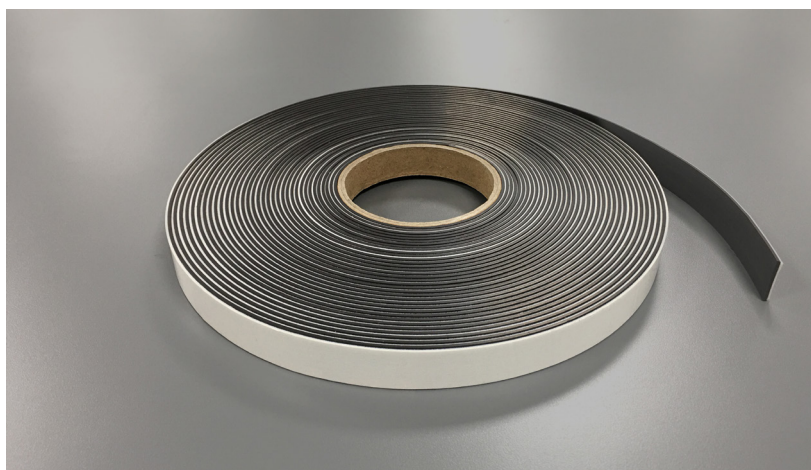


KONNECT MAGNETIC STRIPS

Magnetic strips fit the blind into the window space.

The blind frame and window frame will need cleaned with alcohol wipes to clear away any dirt to ensure strips will stick.

Max size available 1400mm x 2000mm



CORNER JOINTS

Four corner joints hold the frame together.

Composition: Nylon 6

Colours available: White, Tan, Brown, Grey, Anthracite and Black

Corner joints now come attached as standard on all blinds.

Corner caps will come screwed to the Corner Joints

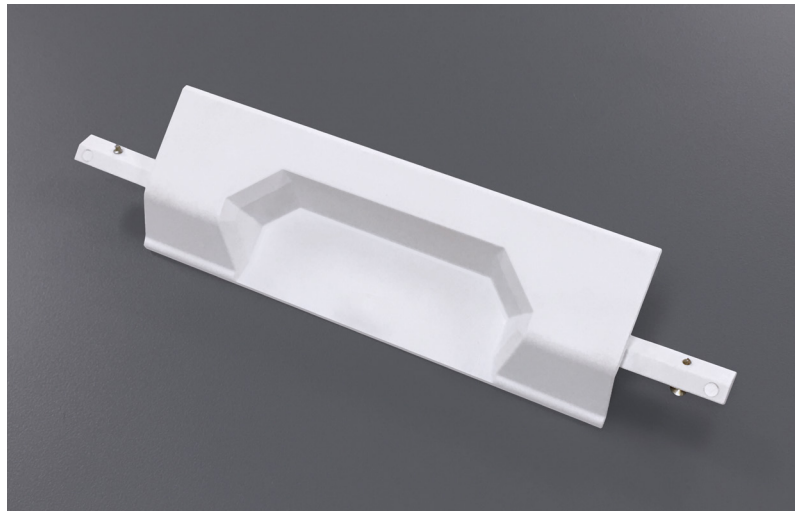


HANDLE INSERTS

Handle insert will be available in 6 colours to provide clearance of any window handles.

Available in White, Tan , Brown, Grey, Anthracite and Black.

Handle insert location is required at point of order.



PROFILE CONTROLS

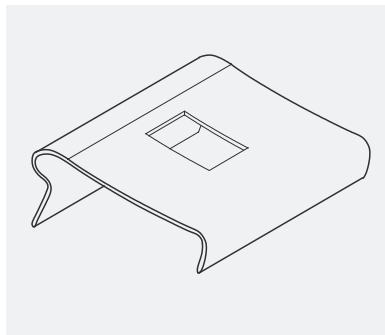
The handle supplied on the blinds will be colour matched to the profile. The reinforced profile will be used on perfect fit blinds.

For bottom up blinds, there will be handle on the bottom bar. For top down, bottom up blinds, there will be a handle on each profile to control the blind.

All blinds over 1200mm wide will have two handles attached and equally spaced.

SOFTCELL SYSTEM BRACKET

For the bottom up blind type, the blind headrail is secured to the Perfect Fit frame using the Top Fix blind brackets.



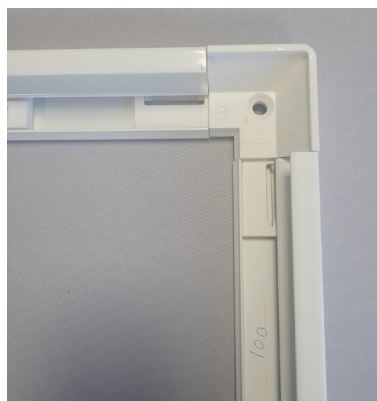
For the top down, bottom up blind, the blind is secured to the perfect fit frame through a hole in the corner joint, where the tension cord is then secured holding the blind in place.

PERFECT FIT UNIVERSAL

Perfect Fit Universal frame allows you to fit your blind outside of the window recess.

Available in 2 colours; White and Anthracite

Max size available 1400mm x 1800mm

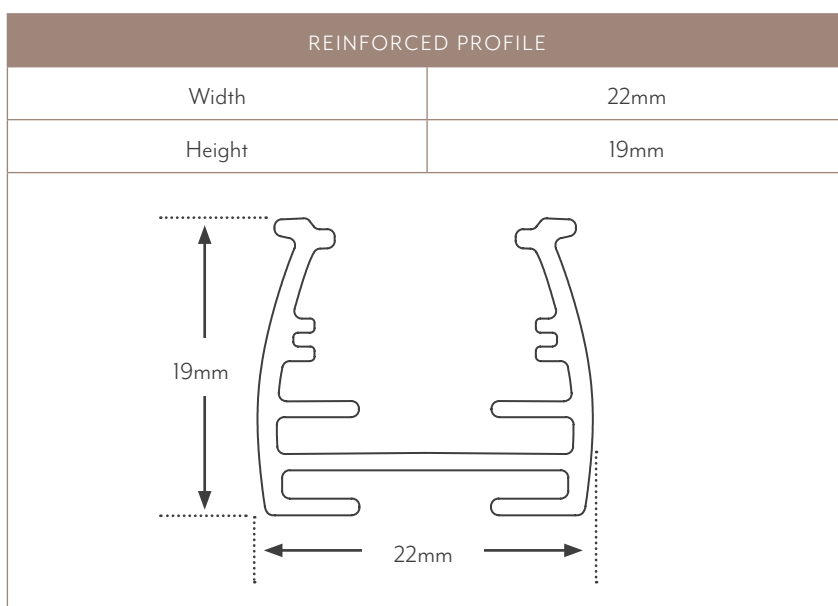
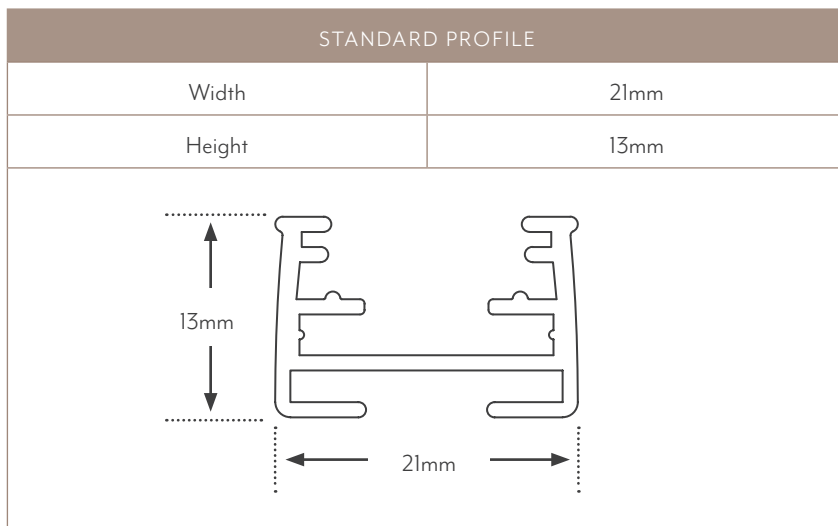


PROFILE DIMENSIONS

All blinds over 1000mm will be supplied with the reinforced profile as default.

The Reinforced profile is also available on blinds under 1000mm at an additional surcharge.

If profiles are required to be matched, this should be requested at time of order, otherwise will default as per width ordered.



CONTROLS

Handle to raise and lower the blind on Tensioned Bottom Up, Tensioned Top Down, Bottom Up and Day and Night, Bottom Up.

Handle will be colour matched to profile colour.

On all blinds over 1200mm two handles will be supplied per controllable profile.

HANDLE	
Width	29mm
Depth	29mm
Height	11mm

FOLDING HANDLE

Folding handle option available which can be used for Bi fold doors. Surcharge applies.

Folding handle available in Anthracite, Black, Brown, Light Grey, Tan and White. Handles are colour matched to the bottom bar.



Available on J03, J04, J05, J06, J07, J08 & J09.

DAY AND NIGHT BOTTOM UP

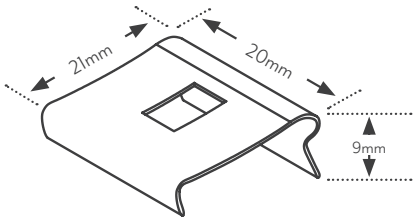
Two handles on blind

TENSIONED TOP DOWN, BOTTOM UP

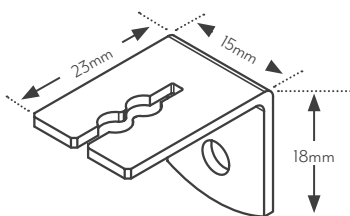
Two handles on blind. One handle to control the top profile and the second to control the bottom profile

BRACKETS

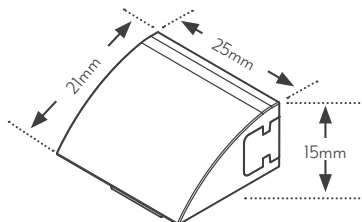
TOP FIX BRACKET J01, J02, J03, J05, J06 & J07

	Width	20mm
	Depth	21mm
	Height	9mm

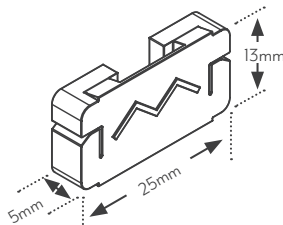
FACE FIX BRACKET J01, J02, J03, J05, J06 & J07

	Width	15mm
	Depth	23mm
	Height	18mm

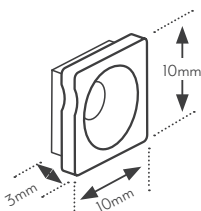
TENSIONED FACE FIX HOLDER J03, J04 & J05

	Width	25mm
	Depth	21mm
	Height	15mm

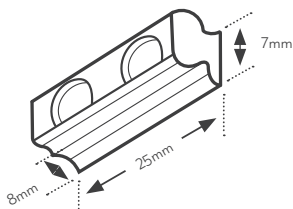
CORD HOLDER J03, J04 & J05

	Width	25mm
	Depth	5mm
	Height	13mm

WINDOW FASTENER J03, J04 & J05

	Width	10mm
	Depth	3mm
	Height	10mm

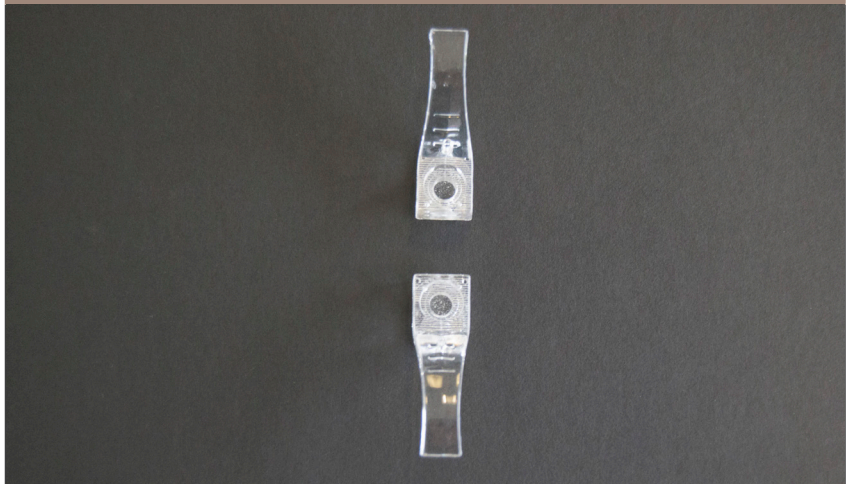
TENSIONED FACE FIX HOLDER FASTENER J03, J04 & J05

	Width	25mm
	Depth	8mm
	Height	7mm

CHILD SAFETY

All cellular corded blinds come with a clear cord stop, breakaway tassel and a two piece cleat.

CHILD SAFETY TWO PIECE CLEAT - LC159



BREAKAWAY TASSEL - VC986



CORD STOP RINGS - VC902



STACK HEIGHTS

J-SERIES

The stacking height of a blind refers to the measurement from top to bottom when the blind is fully pulled up.

These stacking heights should be treated as advice only. There is a slight variance in the cell/pleat thickness therefore each individual blind will be different.

BLIND DROP	STANDARD PROFILE		REINFORCED PROFILE	
	PLEATED	CELLULAR	PLEATED	CELLULAR
500	39	40	51	52
1000	52	53	64	65
1500	65	67	77	79
2000	78	80	90	92
2500	91	94	103	106
3000	104	107	116	119
3500	117	121	129	133
4000	130	134	142	146

REPLACEMENT COMPONENTS

ITEM NO.	DESCRIPTION
SSP300	Plisse Cord Support White
SSP301	Plisse Top Fix Spring Bracket
SSP302	Plisse Wall Bracket
SSP303	Plisse Glazing Bead Holder
SSP304	Plisse Magnet Cover Cord Support
SSP305	Plisse Bracket to Frame/Wall
SSP330	Plisse Cord Support Black
SSP331	Plisse Cord Support Golden Oak
SSP332	Plisse Cord Support Brown
SSP333	Plisse Cord Support Sand
SSP334	Plisse Cord Support Silver
SSP335	Plisse Wall Bracket Screw M4x8
SSP336	Plisse Wall Bracket Nut M4
SSP-EF001	Q-Fitt Cord Block
SSP-EF002	Q-Fitt Beading Bracket
SSP-EF003	Q-Fitt Cord Block Mirror
SSP-EF004	Q-Fitt Silicone Pad (TR001)

Softcell Fabrics

THE BELOW TABLE PROVIDES INFORMATION ON SOFTCELL FABRICS

FABRIC	COLOUR	COMPOSITION	WIDTH(CM)	FABRIC PROPERTIES	PRICE BAND
Astoria	Charcoal	100% Polyester	300	Dimout	C
	Cool Grey				
	Desert Sand				
	Slate				
	Stone				
Artezen	Snow	100% Polyester	300	Dimout, Voile	C
Blenheim	Blockout Indigo	100% Polyester	300	Blockout	D
	Blockout Lime				
	Blockout Ochre				
	Blockout Rouge				
	Blockout Snowdrop				
	Blockout White Mist				
Bowery	Anthracite	100% Polyester	300	Dimout, Texture	C
	Blanc				
	Cashmere				
	Charcoal				
	Mineral				
	Pewter				
	Smoke				
Hudson	Burgundy	100% Polyester	250	Dimout	E
	Fawn				
	Parchment				
	Platinum				
	Royal Blue				
	Slate				
	Snow				
	Teal				
Lexington	Anthracite	100% Polyester	300	Dimout	A
	Cream				
	Dove Grey				
	Grey				
	Onyx				
	Taupe				
	White				
	Lagoon				
	Neptune				
	Orchid				
	Saffron				
	Sky				
	Spring				
Terra					
Lexington Blockout	Blockout Anthracite	100% Polyester	300	Blockout	B
	Blockout Cream				
	Blockout Dove Grey				
	Blockout Grey				
	Blockout Onyx				
	Blockout Taupe				
	Blockout White				
	Blockout Lagoon				
	Blockout Neptune				
	Blockout Orchid				
	Blockout Saffron				
	Blockout Sky				
	Blockout Spring				
	Blockout Terra				

FABRIC	COLOUR	COMPOSITION	WIDTH(CM)	FABRIC PROPERTIES	PRICE BAND
Soho	Barley	100% Polyester	285	Blockout, FR*	D
	Flint				
	Frosted Steel				
	Midnight				
	Oyster				
	Sandstone				
Tribeca	Camel	100% Polyester	285	Dimout, Water Resistant	B
	Grey Dawn				
	Oatmeal				
	Stone				
	Vintage Grey				
	Blockout Camel			Blockout, Water Resistant	C
	Blockout Grey Dawn				
	Blockout Oatmeal				
	Blockout Stone				
	Blockout Vintage Grey				

*(FR) - Flame retardant fabric - BS5867-2:2008 Type B.

Pleated Fabrics

THE BELOW TABLE PROVIDES INFORMATION ON ALL PLEATED FABRICS

FABRIC	COLOUR	COMPOSITION	WIDTH(CM)	FABRIC PROPERTIES	PRICE BAND
Addison	Nera Black	100% Polyester	225	Blockout	D
	Pearl				
	Royal Blue				
Adia	Atlantic	100% Polyester	238	Dimout	B
Akona	White	100% Polyester	225	Dimout	C
Aliz	Gris	100% Polyester	225	Dimout	B
	Snow				
Amos	Cotton	100% Polyester	195	Dimout	E
Arlo	Mandarine	100% Polyester	240	Dimout, Pearlised	B
	Sea Smoke				
Aspinal	Raven	100% Polyester	225	Dimout, Pearlised	B
Astral	Blush	100% Polyester	225	Dimout, Pearlised	B
	Haze				
	Stone				
Bahama	Soft Grey	100% Polyester	225	Dimout	C
Bask	Ash	100% Polyester	215	Dimout, Pearlised	D
	Chalk				
	Sand				
Cecily	Parchment	100% Polyester	230	Dimout	D
	Slate				
Equa	Moss	100% Polyester	225	Dimout, Pearlised	B
Essence	Concrete	100% Polyester	225	Dimout, Pearlised	C
	Slate				
Evisa	Lilac	100% Polyester	230	Dimout	C
	Orchid Pink				
	Pacific				
Fusion	Onyx	100% Polyester	225	Dimout, Pearlised	B
Glantus	Kiwi	100% Polyester	238	Dimout	A
Hamilton	Graphite	100% Polyester	225	Dimout	C
	Bamboo				
	Black				
	White Mist				
Hypno	Almond	100% Polyester	240	Dimout, Pearlised	B
	Coffee				
	Linen				
	Mint				
	Red				
	Rose				
	Silver				
Yellow					
Kana	Amethyst	100% Polyester	225	Dimout	A
	Chocolate				
	Merlot				
	Navy Blue				
	Obsidian Black				
	Perla White				
Terra					
Kimora	Cumulus White	100% Polyester	170	Blockout	C
Loxton	Champagne	100% Polyester	220	Dimout, Pearlised, Textured	B
	Charcoal				
	Titanium				
Luqa	Lemon	100% Polyester	215	Dimout	C
	Nut				
Hovia	Ink Blue	100% Polyester	225	Dimout, Pearlised	C

FABRIC	COLOUR	COMPOSITION	WIDTH(CM)	FABRIC PROPERTIES	PRICE BAND
Mako	Tranquil	100% Polyester	240	Dimout	C
	White Cotton				
Mirabella	Mirabella Concrete Grey	100% Polyester	220	Dimout, Pearlised, Textured	B
	Mirabella Coral				
	Mirabella Marble				
	Mirabella Mint				
	Mirabella Perla Black				
	Mirabella Plum				
Mirabella Vanilla					
Mirari	Chiffon	100% Polyester	215	Dimout, Pearlised, Textured	B
Mythic	Coral	100% Polyester	240	Dimout	B
	Ecru			Dimout	
	Snow Drift			Dimout, Pearlised	
Noto	Sky	100% Polyester	225	Dimout	C
	Surf				
Nouveau	Frosted Grey	100% Polyester	240	Dimout	A
	Grey Mist				
Oketo	Lagoon	100% Polyester	225	Dimout, Pearlised, Textured	B
	Mineral				
Paradise	Pure Satin	100% Polyester	195	Dimout, Pearlised, Textured	B
	Twilight				
Scandi	Charcoal	100% Polyester	190	Dimout	A
	Khol				
	Scandi Olive				
	Scandi Teal				
Sylvan	Beige	100% Polyester	225	Dimout	C
	Grey				
Talia	Brown	100% Polyester	230	Dimout	C
	Gris				
Trapez	Mulberry	100% Polyester	225	Blockout	E
	Polar White			Dimout	
Vista	Canary	100% Polyester	220	Dimout	C
Xyla	Rose	100% Polyester	215	Dimout	B

PLEASE NOTE: Ladders will be chosen to the closest colour of the fabric, if no colour available white ladder will be used. Specific ladder colours can be specified on the order.

SERVICE

- > Softcell blinds offer a 7-10 working days service for Made to Measure Blinds.
- > Softcell blinds are a custom-made product; once ordered and processed the blind is manufactured immediately, hence there will be no facility to amend or cancel the order once submitted.
- > A dispatch notification will be emailed on dispatch of the order.
- > Accounts on credit hold will not be forwarded to supplier to manufacture until the customer is off credit hold. Therefore the 7-10 working day lead time will begin once the customers have been taken off credit.
- > There may be a delay of up to 72 hours from Dispatch notification to the point that the order can be tracked.
- > All Softcell blinds will be packaged in circular tube with the blind suitably wrapped inside to ensure no damage through transit.
- > All orders can be tracked through courier tracking numbers provided with the Dispatch notification.
- > Deliveries to ROI will incur an additional 3 working day lead time.

HOLIDAYS

UK holidays will extend lead times as per Courier holidays.