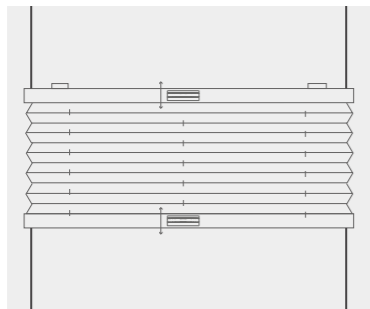


PLEASE READ THE INSTRUCTIONS BEFORE OPERATING THIS PRODUCT

OPERATION INSTRUCTIONS

OPERATION



To raise blind: Lift handle upwards until the blind reaches desired height.

To lower blind: Pull handle downward until blind reaches desired height.

MAINTENANCE

The product is maintenance free however we recommend that regular visual checks are completed to ensure that no components have been damaged, which could result in operating difficulties and/or cause a safety risk.

If any maintenance is required we recommend that the work is carried out immediately, by a reputable blind company.

We recommend opening and closing your blind regularly to maintain the pleats in the fabric. Recommended that pleated blinds should be stacked overnight, at least once a week to maintain their pleat and shape.

CLEANING

To prevent blinds from becoming dirty, the blinds should be cleaned regularly with a feather duster.



make it safeTM

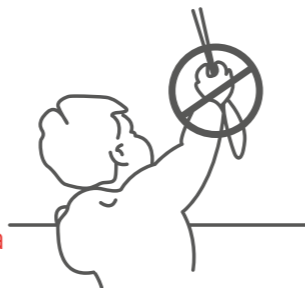


WARNING

Young children can be strangled by loops in pull cords, chains, tapes and inner cords that operate the product.

To avoid strangulation and entanglement, keep cords out of the reach of children. Cords may become wrapped around a child's neck. Move beds, cots and furniture away from window covering cords.

Do not tie cords together. Make sure cords do not twist and create a loop.

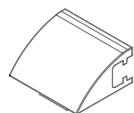


Prime Plisse Cellular
Tensioned Top Down/ Bottom Up

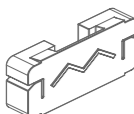
YOU SHOULD HAVE

PLEATED BLIND ITEM LIST

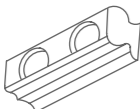
Wall Bracket



Cord Fastener



Window Fastener

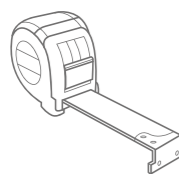


TOOLS REQUIRED

Screw driver Drill



Tape measure Pencil

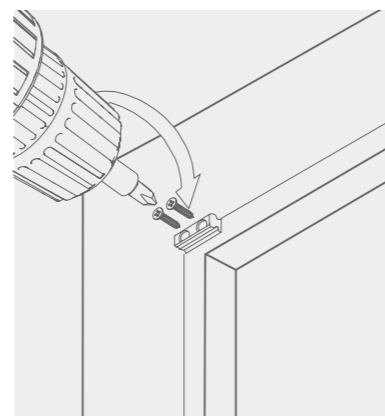


Children can strangle if a safety device is not installed. Always use a safety device to keep cords and chains out of reach of children.

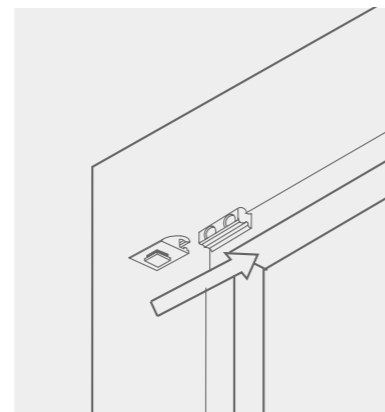
STEP 1

GLAZING BEAD INSTALLATION

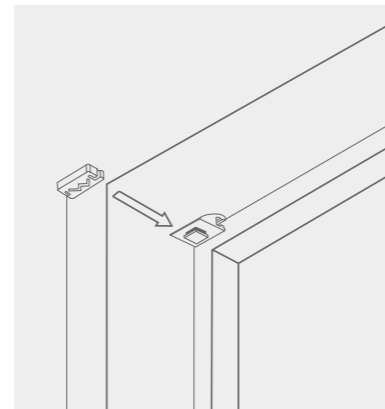
Install the window fasteners for the cord brackets, in the desired position using suitable fixings.



Attach the brackets onto the fasteners.



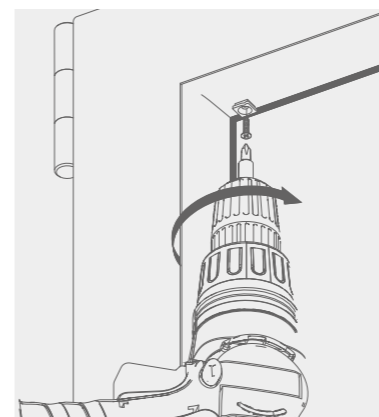
Fit the blind using cord fasteners.



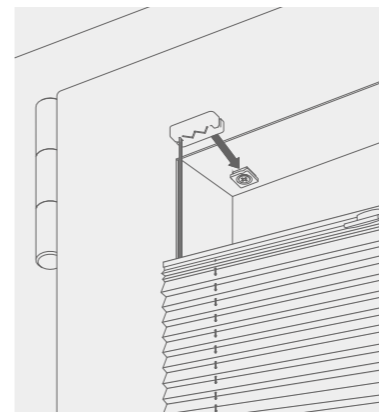
WINDOW FRAME INSTALLATION

Install the window fasteners for the cord brackets in the desired position using suitable fixings.

Recess Installation
Install the window fasteners for the cord brackets into the desired position within the recess using suitable fixings.

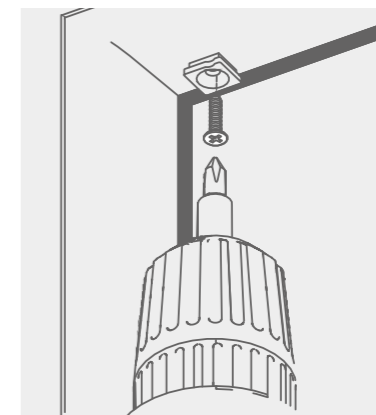


Fit the blind using cord fasteners.



RECESS INSTALLATION

Install the window fasteners for the cord brackets into the desired position within the recess using suitable fixings.



Fit the blind using cord fasteners.

