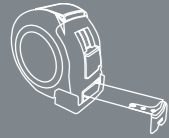


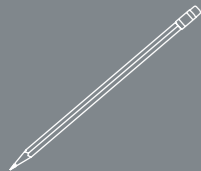
YOU WILL NEED



Measuring
Tape



Notepad



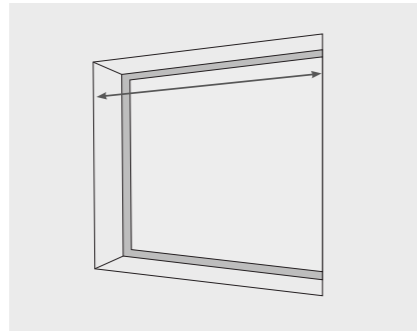
Pencil

CURTAIN TRACK MEASURING GUIDE

Here are some step by step instructions for how to measure your window for your new curtain track. Firstly, choose whether you wish your curtain to be fitted inside or outside the recess.

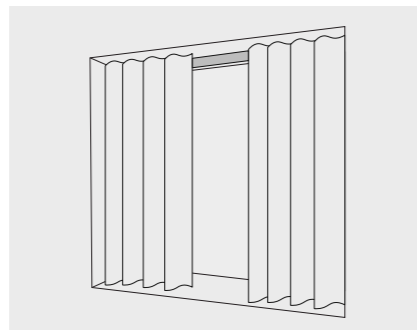
INSIDE THE RECESS

- Measure the width inside the recess at the top of the window, where your track will be fitted.
- This will be your width measurement.



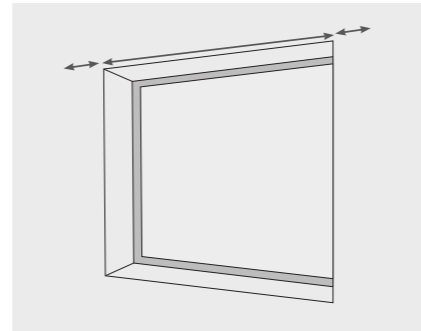
IMPORTANT NOTES:

- For curtain tracks installed in recessed windows, a deduction of 1cm will be made from the total width. This adjustment ensures your curtain track fits correctly within the recessed area. Without this deduction, your curtain track may be too big for the window, leading to issues during the installation process.



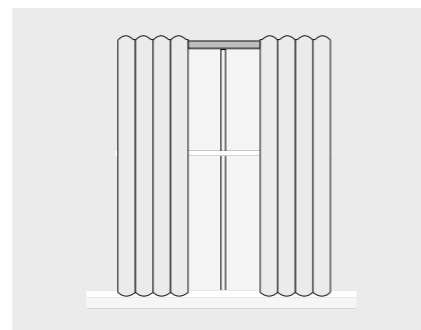
OUTSIDE THE RECESS

- Measure the width of the recess of the window.
- Add an additional overlap to each side.
- This will be your width measurement.



IMPORTANT NOTES:

- We recommend you add at least 15cm overlap on each side of your window to allow the space needed to draw back your curtains. If you do not have space for this overlap and have minimal distance between the wall and window, we recommend running a track wall to wall.

**WARNING**

Young children can be strangled by loops in pull cords, chains, tapes and inner cords that operate the product. To avoid strangulation and entanglement, keep cords out of the reach of young children. Cords may become wrapped around a child's neck.

- Move beds, cots and furniture away from window covering cords.
- Do not tie cords together.
- Make sure cords do not twist and create a loop.
- If you're using corded tracks or poles, ensure the child safety accessories are correctly fitted.
- Curtain track, pole and blind cords should never be cut, even as a short term solution. Cutting the cord in the wrong place can make the curtain track, pole or blind inoperable. It will also lead to one cord becoming much longer than the other which increases the risk of a child becoming entangled. The cut cords can also become entangled and resulting in the reformation of a loop defying the very purpose of cutting them.



CURTAIN TRACK



FOLLOW THE
INSTRUCTIONS
AND REMEMBER TO
DOUBLE CHECK YOUR
MEASUREMENTS AS
YOU GO ALONG