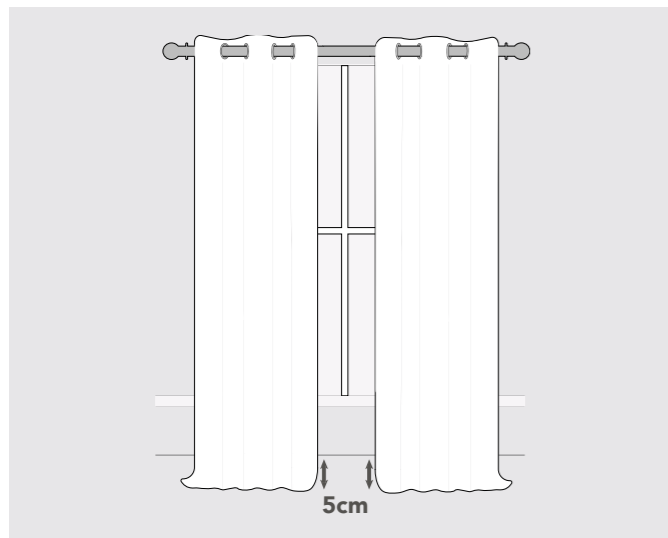
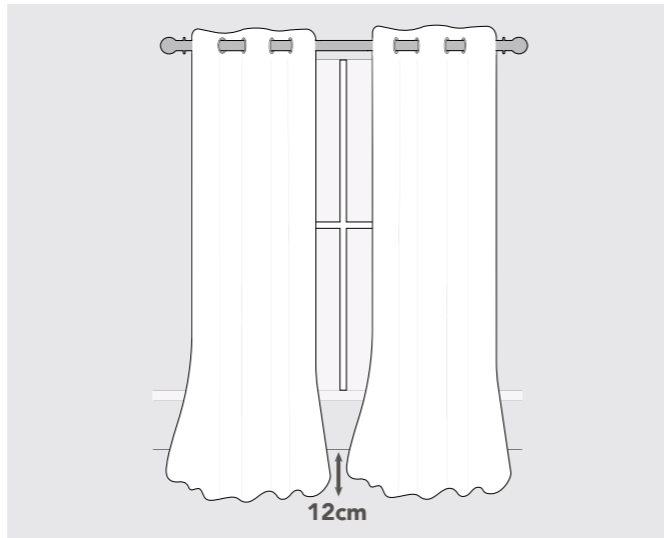


POOLED

We recommend adding 5cm to your curtain length to create a gently pooled look.

**GENEROUSLY POOLED**

We recommend adding 12cm to your curtain length for a generous pooled look.

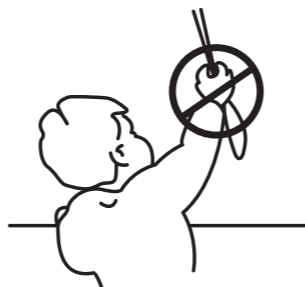
**WARNING**

Young children can be strangled by loops in pull cords, chains, tapes and inner cords that operate the product.

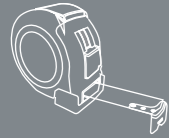
To avoid strangulation and entanglement, keep cords out of the reach of young children.

Cords may become wrapped around a child's neck.

- Move beds, cots and furniture away from window covering cords.
- Do not tie cords together.
- Make sure cords do not twist and create a loop.
- If you're using corded tracks or poles, ensure the child safety accessories are correctly fitted.
- Curtain track, pole and blind cords should never be cut, even as a short term solution. Cutting the cord in the wrong place can make the curtain track, pole or blind inoperable. It will also lead to one cord becoming much longer than the other which increases the risk of a child becoming entangled. The cut cords can also become entangled and resulting in the reformation of a loop defying the very purpose of cutting them.

**CURTAINS**

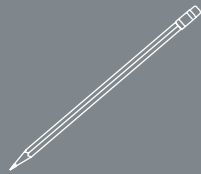
YOU WILL NEED



Measuring
Tape



Notepad



Pencil

CURTAINS MEASURING GUIDE

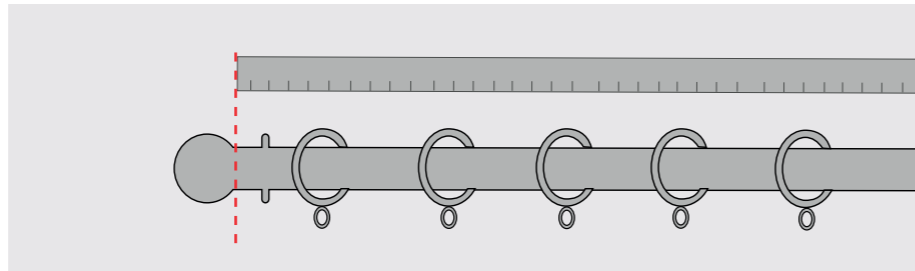
Here are some step by step instructions for how to measure your window for your new curtains.

STEP 1 - MEASURE THE WIDTH

Curtains can either be installed on a pole or on a track. Once you have decided how to install your curtain, measure for the width, as seen below.

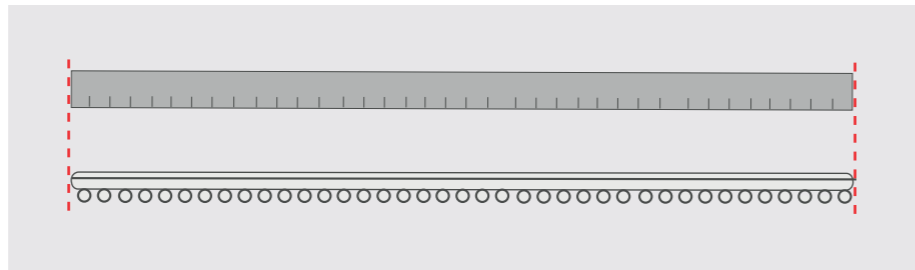
CURTAIN POLES

Measure the width of the pole where the curtain will hang, between any finials or end caps, this is your width measurement.



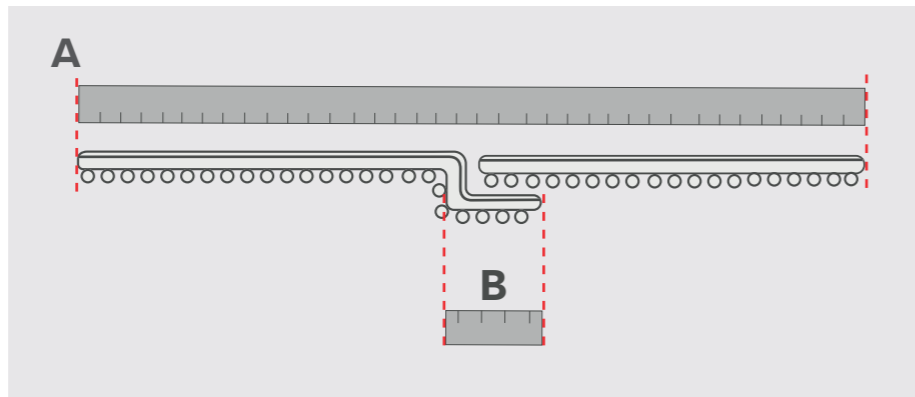
CURTAIN TRACKS

On a standard curtain track measure the full width of the track, this is your width measurement.



CURTAIN TRACKS WITH OVERLAP

If your track has an overlap in the centre, measure the full width of the tracks **(A)** and the width of the overlap **(B)**, this is your width measurement.

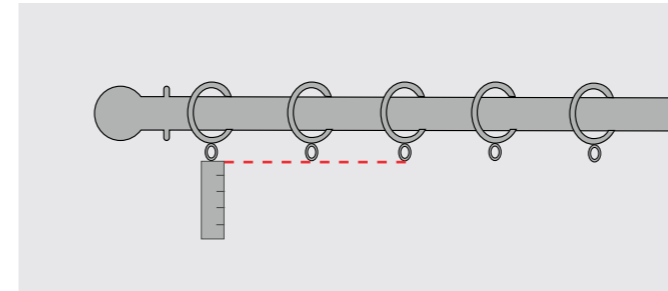


STEP 2 - MEASURE THE DROP

Based on your chosen installation method, measure either from the bottom of the curtain ring or the top of the track.

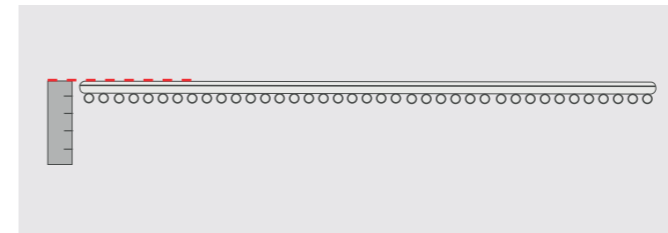
CURTAIN POLES

Measure from the underside of the decorative ring to where you want the curtain to finish at the bottom.



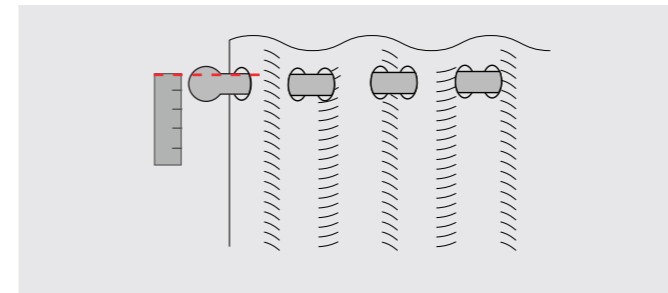
CURTAIN TRACKS

For curtains on a curtain track, measure from the top of the track to where you want the curtains to finish at the bottom.



EYELET HEADING FOR A POLE

For eyelet curtains on a pole, measure from the top of the pole to where you want the curtain to finish at the bottom.

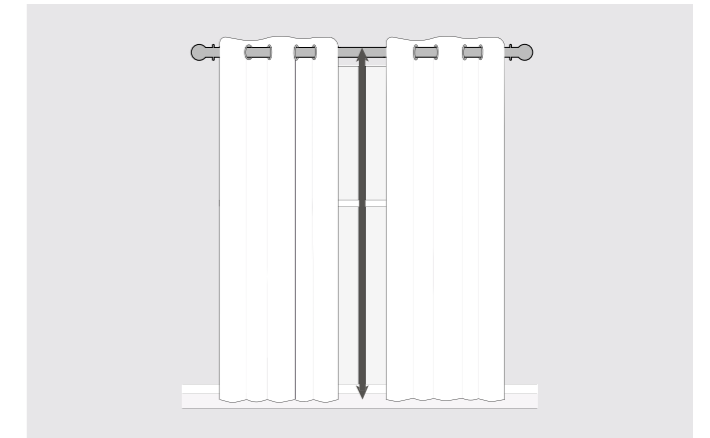


STEP 3 - DECIDE ON YOUR PERFECT LENGTH

The ideal length will depend on your window or door size, the room styling and your personal preference.

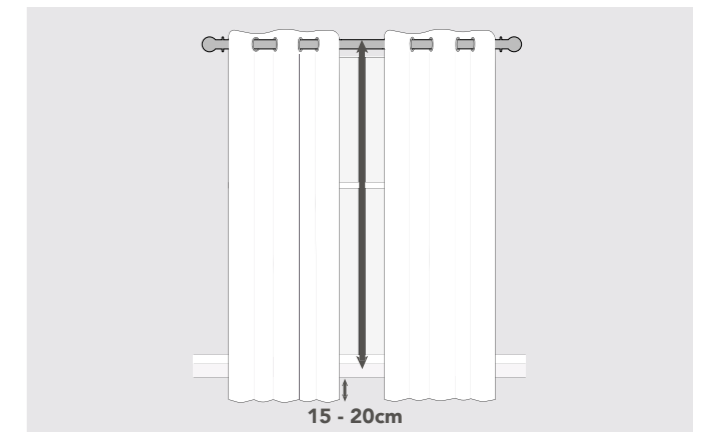
ABOVE SILL

We recommend ending the curtain length at 1cm above the sill when opting for curtains to be the same length as the window.



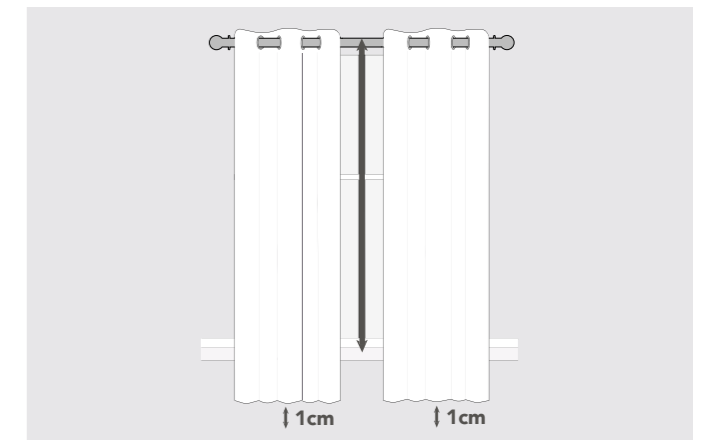
BELOW SILL

For curtains falling below the window sill, we recommend ending the curtain length 15-20cm below the sill.



FLOOR LENGTH

If you're looking for curtains which skim the floor, we recommend ending the curtains length at 1cm above the floor.



FOLLOW THE
INSTRUCTIONS
AND REMEMBER TO
DOUBLE CHECK YOUR
MEASUREMENTS AS
YOU GO ALONG