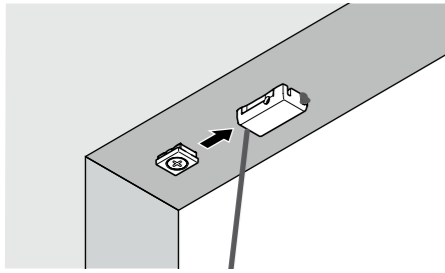


## PLEASE READ THE INSTRUCTIONS BEFORE OPERATING THIS PRODUCT

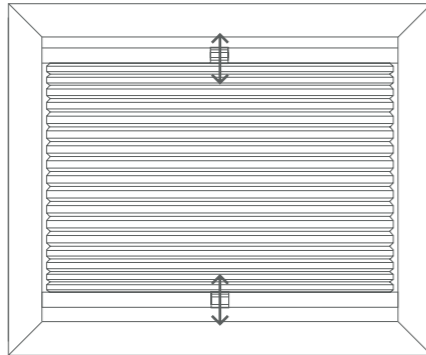
### REMOVAL

To remove the blind, slide cord block off the screw block fitted in the recess. Both left and right hand side. Repeat same step for the bottom cord blocks.



### OPERATION INSTRUCTION

Using handles, move the top and bottom rails up and down to the desired positions.



### MAINTENANCE

This product is maintenance free however we recommend that regular visual checks are completed to ensure that no components have been damaged, which could result in operating difficulties and/or cause of safety risk.

If any maintenance is required, we recommend that the work is carried out immediately by a reputable blind company.

We recommend opening and closing your blind regularly to maintain the pleats in the fabric. Recommended that pleated blinds should be stacked overnight, at least once a week to maintain their pleat and shape.

### CLEANING

To prevent blinds from becoming dirty, the blinds should be cleaned regularly with a feather duster.



**make it safe**<sup>TM</sup>

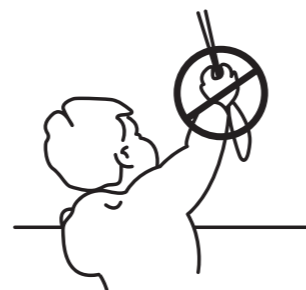
**BBSA**<sup>®</sup>  
BRITISH BLIND & SHUTTER ASSOCIATION

### WARNING

Young children can be strangled by loops in pull cords, chains, tapes and inner cords that operate the product.

To avoid strangulation and entanglement, keep cords out of the reach of young children. Cords may become wrapped around a child's neck. Move beds, cots and furniture away from window covering cords.

Do not tie cords together. Make sure cords do not twist and create a loop.



## SOFTCELL V-SERIES

Tensioned Top Down Bottom Up

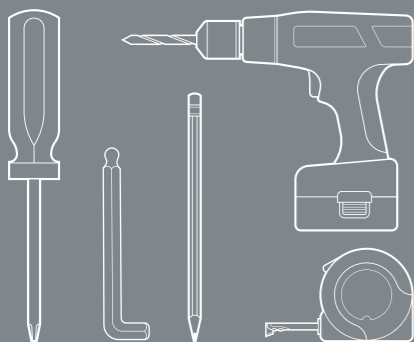
FITTING INSTRUCTIONS V1

## YOU SHOULD HAVE



Screw block x4

## YOU WILL NEED



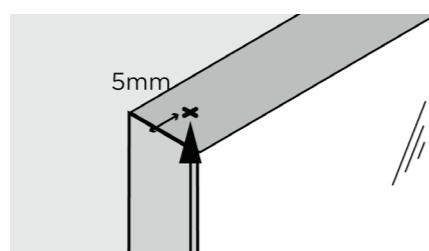
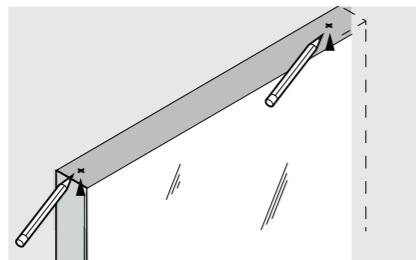
- Screwdriver
- Pencil
- Drill
- Tape Measure
- 1.5mm Allen Key

**THE INSTALLATION OF THIS PRODUCT SHOULD BE CONDUCTED BY SOMEONE COMPETENT IN DIY.**

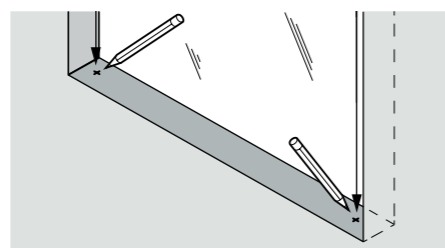
### STEP 1

Measure the top of the window recess and mark 5mm (3/16") in from the edge of the window recess. Both right and left hand side.

Ensure marked position allows the blind to clear all obstructions such as window handles when the blind is fitted.

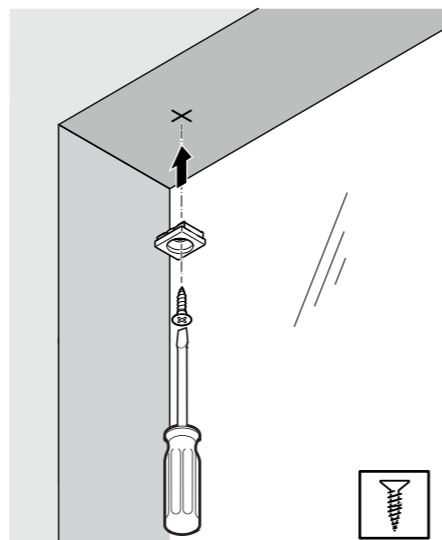


Repeat the above but on the bottom of the window recess. Both right and left hand side.

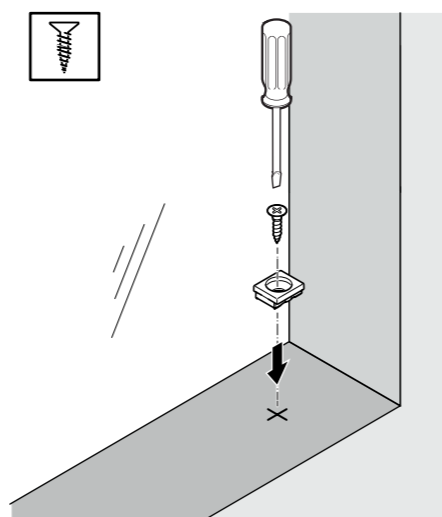


### STEP 2

Fit each screw block using suitable screws on the marked position both left and right. Please ensure fixings are suitable for the recess surface to which you are mounting the screw blocks.

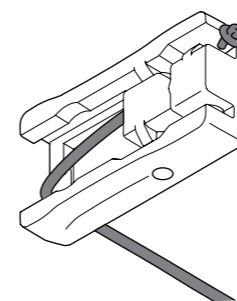
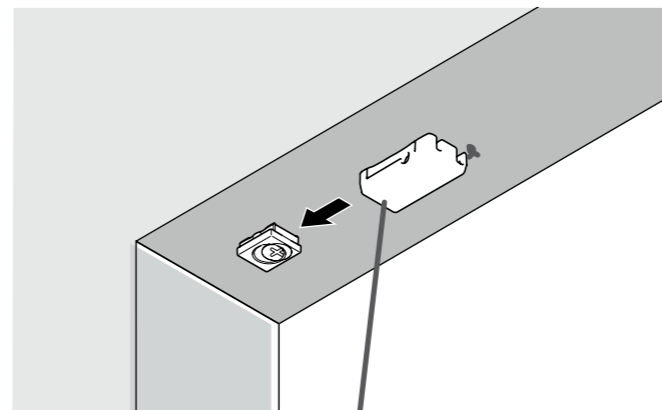


Repeat the above but on the bottom of the window recess. Both right and left hand side.

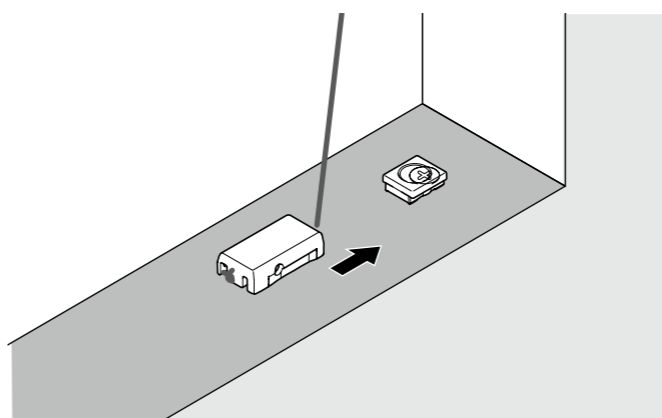
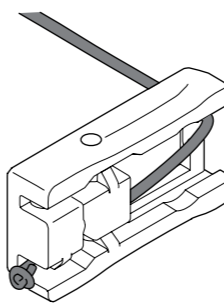


### STEP 3

Slide the top cord blocks of the blind onto the screw block on the top left and right hand side of the recess as shown.



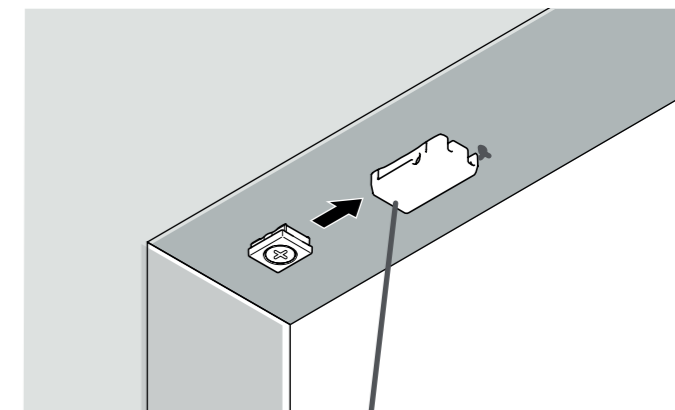
Repeat the above but on the bottom of the window recess. Both right and left hand side.



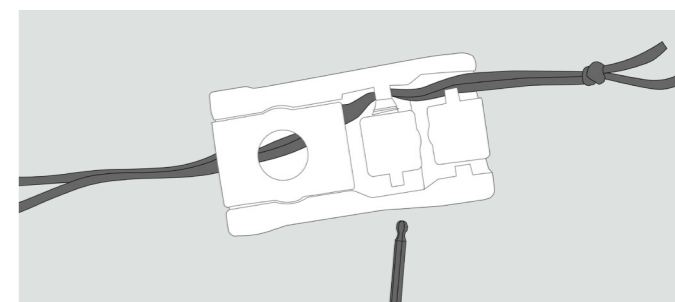
Blind is now fitted and ready for use.

### CORD RE-TENSIONING

Remove cord block from screw block.

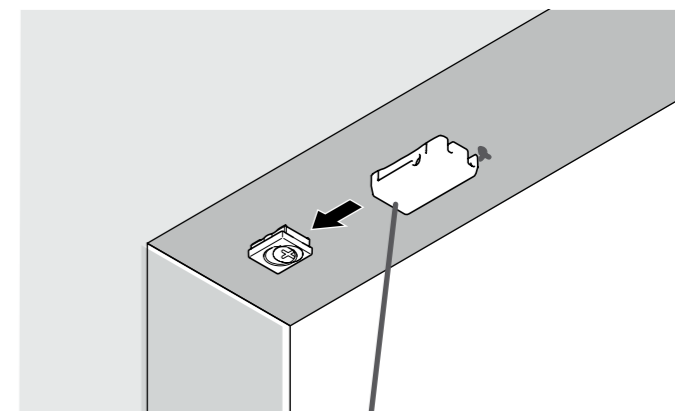


Loosen the cord block screw using a 1.5mm allen key (not provided with blind) and pull cord out of cord block to the desired position.



Tighten the cord block screw using the allen key.

Slide cord block back onto screw block.



Repeat on all 4 cord blocks.

**CHILDREN CAN STRANGLE IF A SAFETY DEVICE IS NOT INSTALLED. ALWAYS USE A SAFETY DEVICE TO KEEP CORDS AND CHAINS OUT OF REACH OF CHILDREN.**