



THE
F A B R I C
B O X

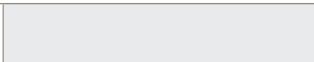



PLEATED & SOFTCELL
V-SERIES

SPECIFICATION (V11)

THE
FABRIC
BOX

PLEATED & SOFTCELL

V-Series
System Overview

FABRICS COLOURS	71 cellular 88 Pleated	
FABRIC TYPES	Dimout & Blockout	
RAIL COLOURS	White (RAL 9016)	
	Anthracite (RAL 7022)	
	Black (RAL 9005)	
	Grey (RAL 9006)	
OPERATING SYSTEMS	V01- Freehanging Bottom Up	
	V02- Freehanging Top Down Bottom Up	
	V03- Freehanging Bottom Up Day/Night	
	V05- Freehanging Bottom Up Chain	
	V06- Freehanging Top Down Bottom Up Chain	
	V07- Freehanging Bottom Up Motorised	
	V08- Tensioned Top Down Bottom Up	
	MINIMUM CONTROL LENGTH	300mm
DEDUCTION FROM FLOOR FOR CONTROL LENGTH (WHEN INSTALL HEIGHT IS PROVIDED)	1500mm	

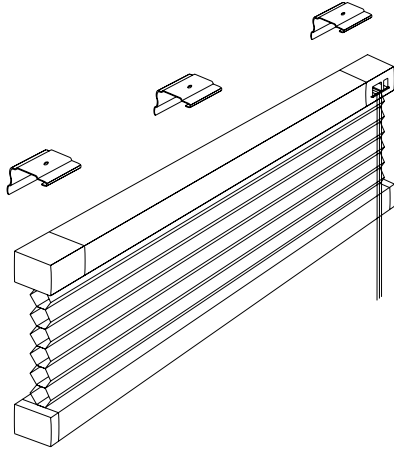
ADDITIONAL INFORMATION:

- > Cellular: Cell size: 25mm
- > Pleated: Pleat size 20mm
- > Blinds are produced within an operating tolerance of +/- 3mm (width & drop)
- > The standard control length on cellular blinds are 2/3 the drop of the blind.
- > If the control length is not within the child safety rules it will be reduced to the max length allowed by child safety.
- > Width deduction of 10mm made on all blinds ordered as recess size.

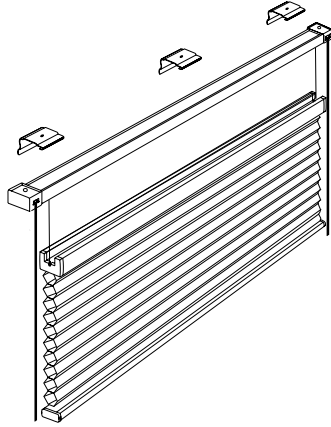
SYSTEM OPTIONS

FREE-HANGING

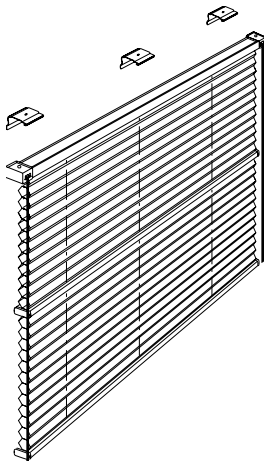
V01 FREEHANGING BOTTOM UP	
Min Width (mm)	200
Min Drop (mm)	200
Max Width (mm)	2900
Max Drop (mm)	3000
Control Options	Cord
Control positions	Right (Standard) & Left (Optional)
Bracket Options	Click On (Standard) & Swivel (Optional)
Child Safety	Breakaway tassell and cleat



V02 FREEHANGING TOP DOWN BOTTOM UP	
Min Width (mm)	200
Min Drop (mm)	200
Max Width (mm)	2900
Max Drop (mm)	3000
Operating System	Cord
Control positions	Dual
Bracket Options	Click On (Standard) & Swivel (Optional)
Child Safety	Breakaway tassell and cleat



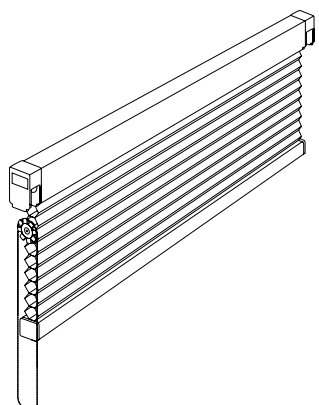
SYSTEM OPTIONS FREE-HANGING

V03 FREEHANGING BOTTOM UP DAY/NIGHT	
Min Width (mm)	200
Min Drop (mm)	200
Max Width (mm)	2900
Max Drop (mm)	3000
Operating System	Cord
Control positions	Dual
Bracket Options	Click On (Standard) & Swivel (Optional)
Child Safety	Breakaway tassell and cleat
	

SYSTEM OPTIONS FREE-HANGING

DEDUCTIONS:

If a Easy Safe clutch is ordered the headrail will be made to blind size or recess size, whichever is specified however there will be a gap of 17mm on the control side of the blind between the edge of the fabric and the edge of the headrail.

V05 FREEHANGING BOTTOM UP CHAIN	
Min Width (mm)	500
Min Drop (mm)	200
Max Width (mm)	2900
Max Drop (mm)	3000
Operating System	Easy Safe 1:1 or 1:4 or Standard 1:1 or 1:4
Control positions	Right (Standard) & Left (Optional)
Bracket Options	Click On (Standard) & Swivel (Optional)
Child Safety	Breakaway Clutch or P-Clip if Standard Clutch used
	

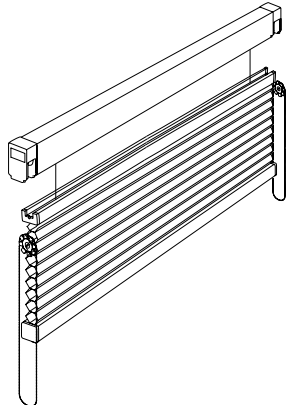
SYSTEM OPTIONS

FREE-HANGING

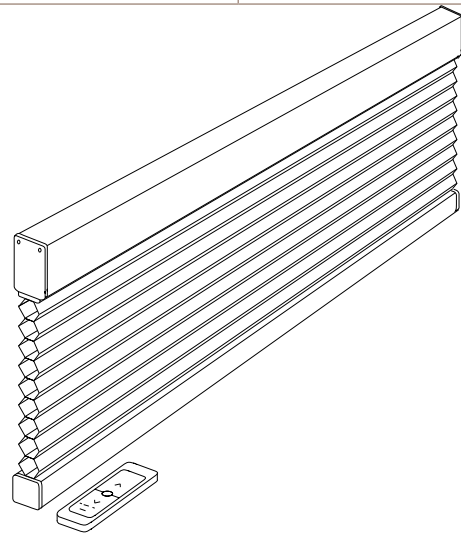
DEDUCTIONS:

If a Easy Safe clutch is ordered the headrail will be made to blind size or recess size, whichever is specified however there will be a gap of 17mm for the controls on both sides of the blind between the edge of the fabric and the edge of the headrail.

Motorised blind must be top fixed to allow a 40mm clearance for the battery pack between the face of the headrail and the window/recess

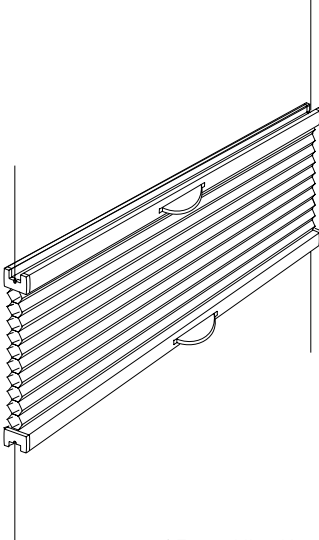
V06 FREEHANGING TOP DOWN BOTTOM UP CHAIN	
Min Width (mm)	600*
Min Drop (mm)	200
Max Width (mm)	2900
Max Drop (mm)	3000
Operating System	Easy Safe 1:1 or 1:4 or Standard 1:1 or 1:4
Control positions	Dual
Bracket Options	Click On (Standard) & Swivel (Optional)
Child Safety	Breakaway Clutch or P-Clip if Standard Clutch used
	

*Easy Safe clutch minimum width is 650mm

V07 MOTORISED BOTTOM UP	
Min Width (mm)	550
Min Drop (mm)	200
Max Width (mm)	2900
Max Drop (mm)	3000
Operating System	Motorised- Somfy Tilt & Lift 25
Bracket Options	Click On (Standard) & Swivel (Optional)
	

SYSTEM OPTIONS TENSIONED

V08 TENSIONED TOP DOWN BOTTOM UP	
Min Width (mm)	200
Min Drop (mm)	200
Max Width (mm)	1500
Max Drop (mm)*	2200
Control Options	Handle
Bracket Options	Screw Block



1.5mm Allen Key required to adjust tension.

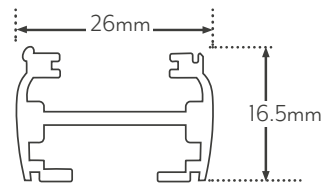
*Max drop of 2200mm only available on blinds of max. width 1000mm. Any blinds of width more than 1000mm, max. drop will be 1500mm.

PROFILE DIMENSIONS

V-SERIES - BOTTOM RAIL & V01, V02, V03 & V08 HEADRAIL

Width	26mm
-------	------

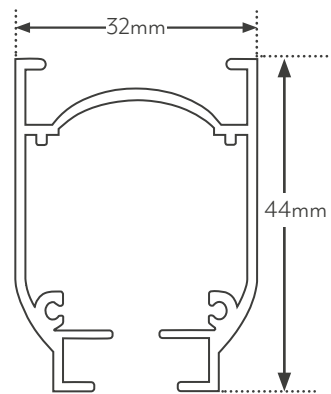
Height	16.5mm
--------	--------



V-SERIES- V05, V06 & V07- HEADRAIL

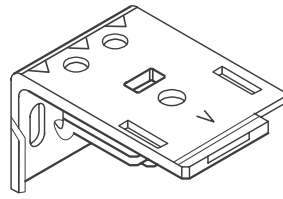
Width	32mm
-------	------

Height	44mm
--------	------



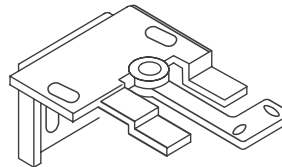
BRACKETS

CLICK ON BRACKET V05, V06 & V07



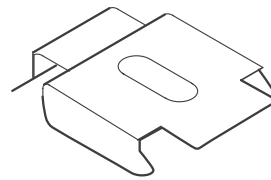
Width	37.1mm
Depth	43.8mm
Height	25.8mm

SWIVEL BRACKET V05, V06 & V07



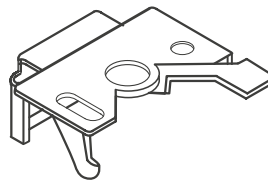
Width	37.0mm
Depth	56.7mm
Height	24.0mm

CLICK ON BRACKET V01, V02 & V03



Width	18.3mm
Depth	24.6mm
Height	6.7mm

SWIVEL BRACKET V01, V02 & V03



Width	30.2mm
Depth	37.0mm
Height	16.1mm

SCREW BLOCK V08

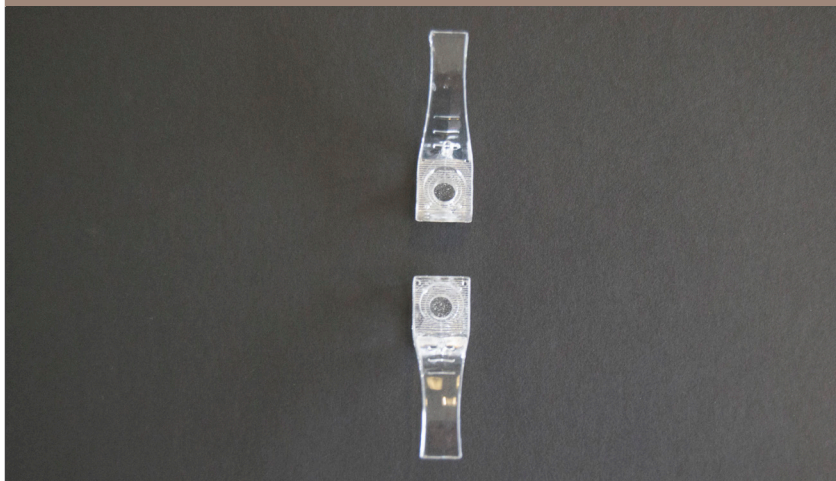


Width	10.1mm
Depth	12.2mm
Height	4.0mm

CHILD SAFETY

All cellular corded blinds come with a clear cord stop, breakaway tassel and a two piece cleat.

CHILD SAFETY TWO PIECE CLEAT - LC159



BREAKAWAY TASSEL - VC986



CORD STOP RINGS - VC902



STACK HEIGHTS

V SERIES

The stacking height of a blind refers to the measurement from top to bottom when the blind is fully pulled up.

These stacking heights should be treated as advice only. There is a slight variance in the cell/pleat thickness therefore each individual blind will be different.

STACKING HEIGHT FOR STANDARD FABRICS, MM (H)							
BLIND DROP	V01	V02	V03	V05	V06	V07	V08
500	41	58	65	68	85	68	41
1000	48	65	79	75	92	75	48
1500	55	72	93	82	99	82	55
2000	62	79	107	89	106	89	62
2500	69	86	121	96	113	96	69
3000	76	93	135	103	120	103	76
3500	83	100	149	110	127	110	83
4000	90	107	163	117	134	117	90

STACKING HEIGHT FOR BLACKOUT FABRICS, MM (H)							
BLIND DROP	V01	V02	V03	V05	V06	V07	V08
500	44	61	71	71	88	71	44
1000	54	71	91	81	98	81	54
1500	64	81	111	91	108	91	64
2000	74	91	131	101	118	101	74
2500	84	101	151	111	128	111	84
3000	94	111	171	121	138	121	94
3500	104	121	191	131	148	131	104
4000	114	131	211	141	158	141	114

REPLACEMENT COMPONENTS

ITEM NO.	DESCRIPTION	COLOUR
SSP306	Tape Roll	White
SSP307	Bobbin	N/A
SSP308	Clutch 1:1 CS White	White
SSP309	Clutch 1:1 CS Grey	Grey
SSP310	Clutch 1:1 CS Black	Black
SSP311	Clutch 1:1 CS Anth	Anthracite
SSP312	Clutch 1:4 CS White	White
SSP313	Clutch 1:4 CS Grey	Grey
SSP314	Clutch 1:4 CS Black	Black
SSP315	Clutch 1:4 CS Anth	Anthracite
SSP316	Headrail No.2 End Caps	White
SSP317	Headrail No.2 End Caps	Grey
SSP318	Headrail No.2 End Caps	Black
SSP319	Headrail No.2 End Caps	Anthracite
SSP320	Bracket Click-on	White
SSP321	Bracket Click-on	Grey
SSP322	Bracket Click-on	Black
SSP323	Bracket Click-on	Anthracite
SSP324	Bracket Swivel Big	White
SSP325	Bracket Swivel Big	Black
SSP326	Bracket Swivel Big	Grey
SSP327	Bracket Swivel Big	Anthracite
SSP328	Tape Roll Easy Bal	White
SSP337	List Assist Easy Balance	N/A
SSP338	List Assist Easy Balance	N/A
SSP339	Handle Type 2	Grey
SSP340	Handle Type 2	Black
SSP341	Handle Type 2	White
SSP342	Handle Type 2	Anthracite
SSP343	Bracket Clip	Chrome
SSP344	Bracket Swivel Small	White
SSP345	Bracket Swivel Small	Grey
SSP346	Bracket Swivel Small	Black
SSP347	Bracket Swivel Small	Anthracite
SSP348	Cord Lock Left	White
SSP349	Cord Lock Left	Grey
SSP350	Cord Lock Left	Black
SSP351	Cord Lock Right	White
SSP352	Cord Lock Right	Grey
SSP353	Cord Lock Right	Black
SSP354	Cord Lock Left	Anthracite
SSP355	Cord Lock Right	Anthracite

Softcell Fabrics

THE BELOW TABLE PROVIDES INFORMATION ON SOFTCELL FABRICS

FABRIC	COLOUR	COMPOSITION	WIDTH(CM)	FABRIC PROPERTIES	PRICE BAND
Astoria	Charcoal	100% Polyester	300	Dimout	C
	Cool Grey				
	Desert Sand				
	Slate				
	Stone				
Artezen	Snow	100% Polyester	300	Dimout, Voile	C
Blenheim	Blockout Indigo	100% Polyester	300	Blockout	D
	Blockout Lime				
	Blockout Ochre				
	Blockout Rouge				
	Blockout Snowdrop				
	Blockout White Mist				
Bowery	Anthracite	100% Polyester	300	Dimout, Texture	C
	Blanc				
	Cashmere				
	Charcoal				
	Mineral				
	Pewter				
	Smoke				
Hudson	Burgundy	100% Polyester	250	Dimout	E
	Fawn				
	Parchment				
	Platinum				
	Royal Blue				
	Slate				
	Snow				
	Teal				
Lexington	Anthracite	100% Polyester	300	Dimout	A
	Cream				
	Dove Grey				
	Grey				
	Onyx				
	Taupe				
	White				
	Lagoon				
	Neptune				
	Orchid				
	Saffron				
	Sky				
	Saffron				
Terra					
Lexington Blockout (3m)	Anthracite	100% Polyester	300	Blockout	B
	Cream				
	Dove Grey				
	Grey				
	Onyx				
	Taupe				
	White				
	Lagoon				
	Neptune				
	Orchid				
	Saffron				
	Sky				
	Spring				
Terra					

Soho	Barley	100% Polyester	285	Blockout, FR*	D
	Flint				
	Frosted Steel				
	Midnight				
	Oyster				
	Sandstone				
Tribeca	Camel	100% Polyester	285	Dimout, Water Resistant	B
	Grey Dawn				
	Oatmeal				
	Stone			Blockout, Water Resistant	C
	Vintage Grey				
	Blockout Camel				
	Blockout Grey Dawn				
	Blockout Oatmeal				
	Blockout Stone				
Blockout Vintage Grey					

(FR) - Flame retardant fabric - BS5867-2:2008 Type B (WR).

Pleated Fabrics

THE BELOW TABLE PROVIDES INFORMATION ON PLEATED FABRICS

FABRIC	COLOUR	COMPOSITION	WIDTH(CM)	FABRIC PROPERTIES	PRICE BAND
Addison	Nera Black	100% Polyester	225	Blockout	D
	Pearl				
	Royal Blue				
Adia	Atlantic	100% Polyester	238	Dimout	B
Akona	White	100% Polyester	225	Dimout	C
Aliz	Gris	100% Polyester	225	Dimout	B
	Snow				
Amos	Cotton	100% Polyester	195	Dimout	E
Arlo	Mandarine	100% Polyester	240	Dimout, Pearlised	B
	Sea Smoke				
Aspinal	Raven*	100% Polyester	225	Dimout, Pearlised	B
Astral	Blush*	100% Polyester	225	Dimout, Pearlised	B
	Haze*				
	Stone*				
Bahama	Soft Grey	100% Polyester	225	Dimout	C
Bask	Ash*	100% Polyester	215	Dimout, Pearlised	D
	Chalk*				
	Sand*				
Cecily	Parchment*	100% Polyester	230	Dimout	D
	Slate*				
Equa	Moss*	100% Polyester	225	Dimout, Pearlised	B
Essence	Concrete*	100% Polyester	225	Dimout, Pearlised	C
	Slate*				
Evisa	Lilac	100% Polyester	230	Dimout	C
	Orchid Pink				
	Pacific				
Fusion	Onyx*	100% Polyester	225	Dimout, Pearlised	B
Glantus	Kiwi	100% Polyester	238	Dimout	A
Hamilton	Graphite*	100% Polyester	225	Dimout	C
	Bamboo*				
	Black*				
	White Mist*				
Hypno	Almond	100% Polyester	240	Dimout, Pearlised	B
	Coffee				
	Linen				
	Mint				
	Red				
	Rose				
	Silver				
Yellow					
Kana	Amethyst	100% Polyester	225	Dimout	A
	Chocolate				
	Merlot				
	Navy Blue				
	Obsidian Black				
	Perla White				
Terra					
Kimora	Cumulus White	100% Polyester	170	Blockout	C
Loxton	Champagne	100% Polyester	220	Dimout, Pearlised, Textured	B
	Charcoal				
	Titanium				
Luqa	Lemon	100% Polyester	215	Dimout	C
	Nut				

FABRIC	COLOUR	COMPOSITION	WIDTH(CM)	FABRIC PROPERTIES	PRICE BAND
Hovia	Ink Blue	100% Polyester	225	Dimout, Pearlised	C
Mako	Tranquil	100% Polyester	240	Dimout	C
	White Cotton				
Mirabella	Mirabella Concrete Grey	100% Polyester	220	Dimout, Pearlised, Textured	B
	Mirabella Coral				
	Mirabella Marble				
	Mirabella Mint				
	Mirabella Perla Black				
	Mirabella Plum				
Mirabella Vanilla					
Mirari	Chiffon	100% Polyester	215	Dimout, Pearlised, Textured	B
Mythic	Coral	100% Polyester	240	Dimout	B
	Ecru			Dimout	
	Snow Drift			Dimout, Pearlised	
Noto	Sky	100% Polyester	225	Dimout	C
	Surf				
Nouveau	Frosted Grey	100% Polyester	240	Dimout	A
	Grey Mist				
Oketo	Lagoon	100% Polyester	225	Dimout, Pearlised, Textured	B
	Mineral				
Paradise	Pure Satin	100% Polyester	195	Dimout, Pearlised, Textured	B
	Twilight				
Scandi	Charcoal	100% Polyester	190	Dimout	A
	Khol				
	Scandi Olive				
	Scandi Teal				
	White Linen				
Sylvan	Beige*	100% Polyester	225	Dimout	C
	Grey*				
Talia	Brown*	100% Polyester	230	Dimout	C
	Gris*				
Trapez	Mulberry	100% Polyester	225	Blockout	E
	Polar White			Dimout	
Vista	Canary	100% Polyester	220	Dimout	C
Xyla	Rose	100% Polyester	215	Dimout	B

* Please reference the table on page 16 for information on pleated fabric drop restrictions.

DROP RESTRICTIONS FOR PLEATED FABRICS

This table outlines our V-Series made to measure pleated colours that, due to the nature of the fabric have a restricted drop.

FABRIC	COLOUR	MAXIMUM DROP
Aspinal	Raven	1000
Astral	Blush	1000
Astral	Haze	1000
Astral	Stone	1000
Bask	Ash	1000
Bask	Chalk	1000
Bask	Sand	1000
Cecily	Parchment	1000
Cecily	Slate	1000
Essence	Concrete	1000
Essence	Slate	1000
Equa	Moss	1000
Fusion	Onyx	1000
Hamilton	Graphite	1000
Hamilton	Bamboo	1000
Hamilton	Black	1000
Hamilton	White Mist	1000
Sylvan	Beige	1500
Sylvan	Grey	1500
Talia	Brown	1500
Talia	Gris	1500

SERVICE

- > Softcell blinds offer a 7-10 working days service for Made to Measure Blinds.
- > Softcell blinds are a custom-made product; once ordered and processed the blind is manufactured immediately, hence there will be no facility to amend or cancel the order once submitted.
- > A dispatch notification will be emailed on dispatch of the order.
- > Accounts on credit hold will not be forwarded to supplier to manufacture until the customer is off credit hold. Therefore the 7-10 working day lead time will begin once the customers have been taken off credit.
- > There may be a delay of up to 72 hours from Dispatch notification to the point that the order can be tracked.
- > All Softcell blinds will be packaged in circular tube with the blind suitably wrapped inside to ensure no damage through transit.
- > All orders can be tracked through courier tracking numbers provided with the Dispatch notification.
- > Deliveries to ROI will incur an additional 3 working day lead time.

HOLIDAYS

UK holidays will extend lead times as per Courier holidays.