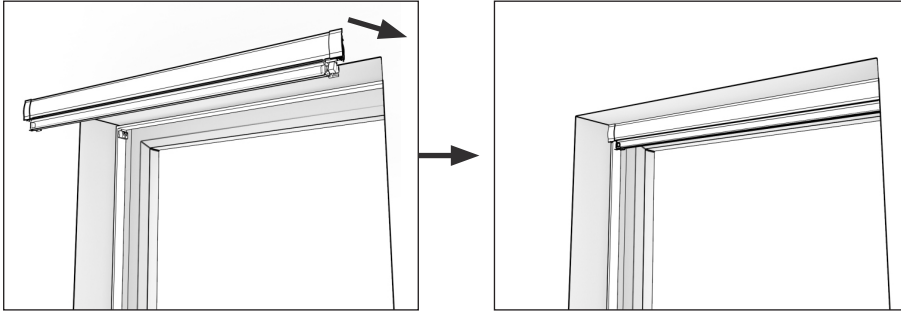
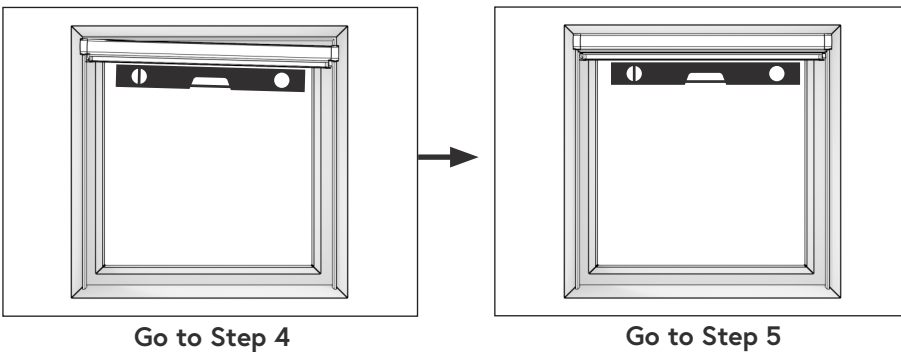


## 2 Slide cassette into guidedogs



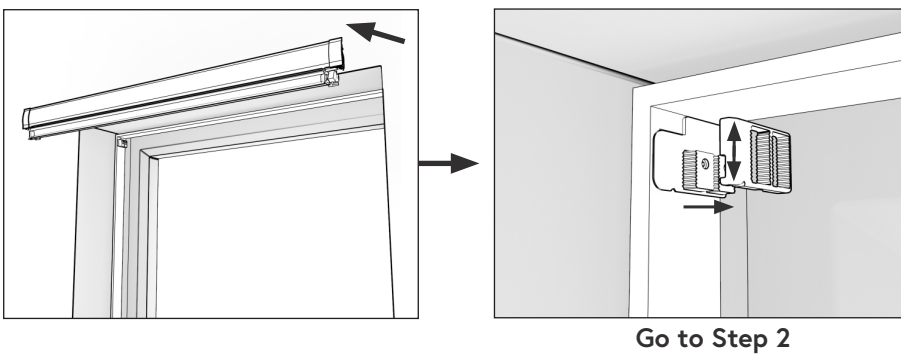
- Align the cassette with the guidedogs and press firmly.
- Ensure the cassette is secure before removing hands.

## 3 Check cassette is level



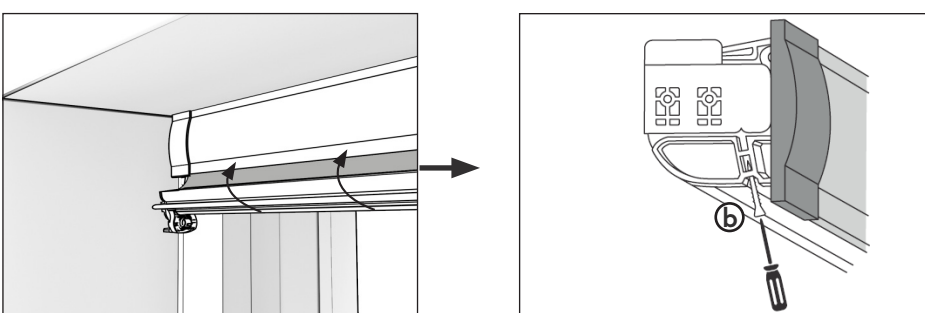
- Place a spirit level on the underside edge of the cassette (the metal casing of the blind) to check if the cassette is level.
- If the cassette is level proceed to step 5.
- If the cassette is not level proceed to step 4.

## 4 Adjust guidedogs



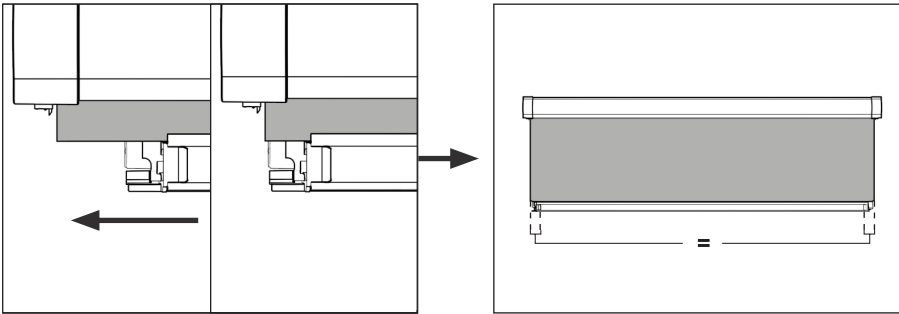
- Remove the cassette from the guidedogs by pulling on both sides.
- Remove the adjustable insert from the guidedogs and adjust accordingly to level the cassette.
- Return to step 2.

## 5 Secure cassette



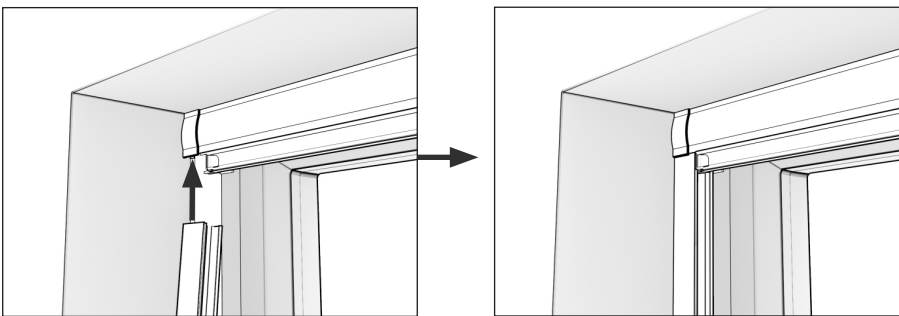
- Secure the cassette using screw (b), ensure the screw is fitted vertically.
- Repeat on both sides.

## 6 Centralise handle



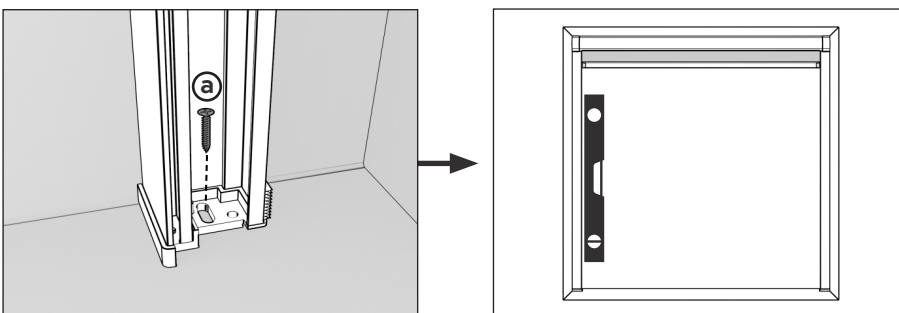
- To centralise, gently slide the handle until fabric is even on both sides.

## 7 Slide siderail into cassette



- Slide fabric into the wide channel of the siderail.
- The siderail should be positioned underneath the front edge of the cassette.

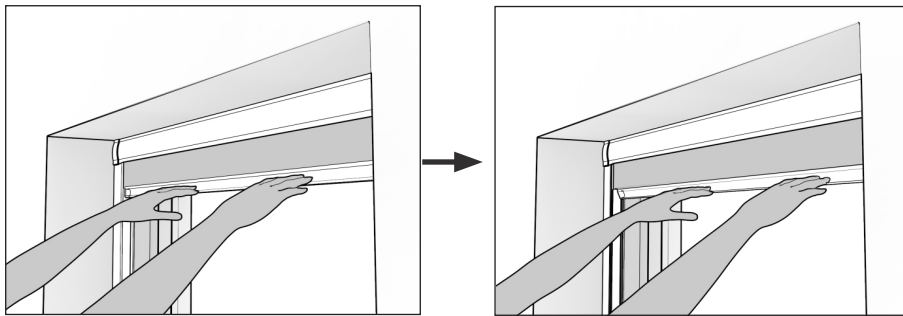
## 8 Secure siderails



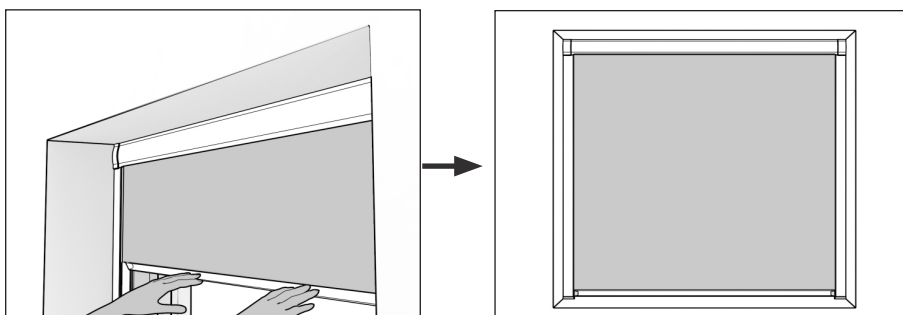
- Position the siderail against the baton and check vertically level.
- Secure using screw (a).
- Repeat this process on both sides.

# How to operate

**Manual Operation** - Always use two hands to lower and raise the blind.

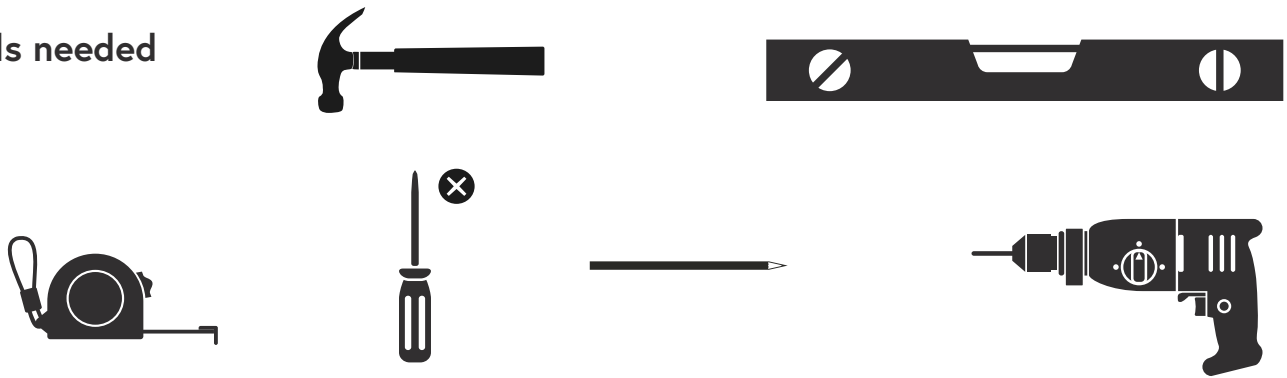


- During operation ensure your hands are centralised on the handle.
- To release the brake simply tilt the handle towards the window.
- The blind can now be lowered and raised.

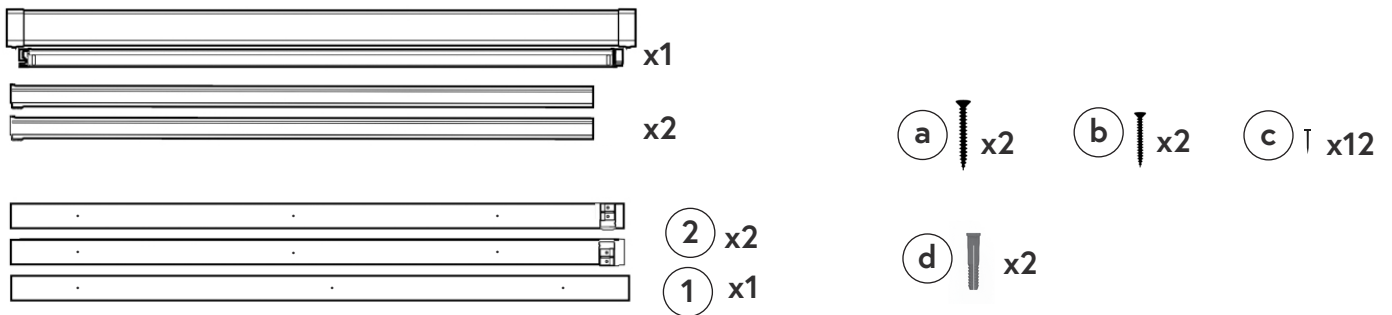


- To lock the blind into position release your hands from the handle.

## Tools needed

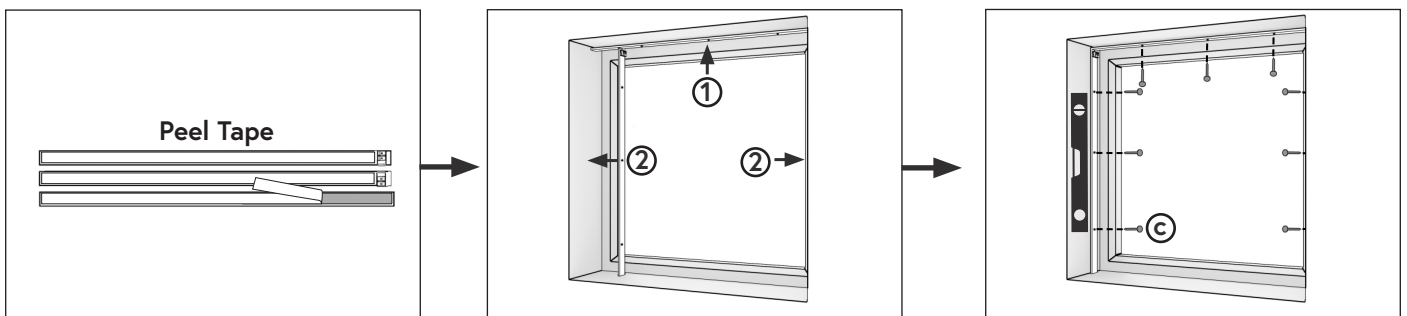


## Contents of package



The rawl plugs provided may be used depending on the wall type.

## 1 Fix batons



- Measure a minimum of 35mm from the window frame to avoid obstructions eg. window handles, and mark with a pencil. Ensure the batons will not surpass the recess edge.
- Fit the top baton (1) first before fitting the side batons (2).
- Remove the adhesive tape cover from the baton and ensure vertically level before pressing firmly into position.
- Secure the batons using nail pins provided (c) and a hammer or drill if needed.



## Sustainable.

Our sustainable range of fabrics come from a facility which has a Five Zero Green production process.

1. **Energy** – Production process is CO2 Neutral.
2. **Water** - Leaves factory as drinkable.
3. **Air** – Bio Fuels used in a circulated closed heating system creating hot water for production processes.
4. **Ingredients** - Materials used with the least possible impact on our health and the environment.
5. **Waste** - Minimised using regulated manufacturing processes.

# blocOut® Blackout Blind

The better we sleep,  
the better we live.



reddot winner 2021

Our innovative BlocOut Blind has achieved the prestigious Red Dot Award. Internationally recognised as one of the most sought-after seals of quality for outstanding design.

### Effective blackout for better sleep

Custom made siderails and bottom seal  
 High quality blackout fabrics  
 Reduce heat loss and heat gain  
 Easy to Measure  
 3-year guarantee  
 Manufactured in the UK



## For larger windows

# blocOut® Blackout Blind XL

- Effective blackout for better sleep
- Reduce heat loss and heat gain
- High quality blackout fabrics
- Manufactured in the UK
- Motorised & SMART options available (child safe)
- Fabric changer technology
- Suitable for larger windows up to 2400mm wide x 2400mm height
- Fabric pelmet option

bloc  
blinds | SleepSimple



BLC-1240

**bloc**  
blinds

# Instructions



## **BlocOut**

Inside of Recess Fit

**LiveSimple**