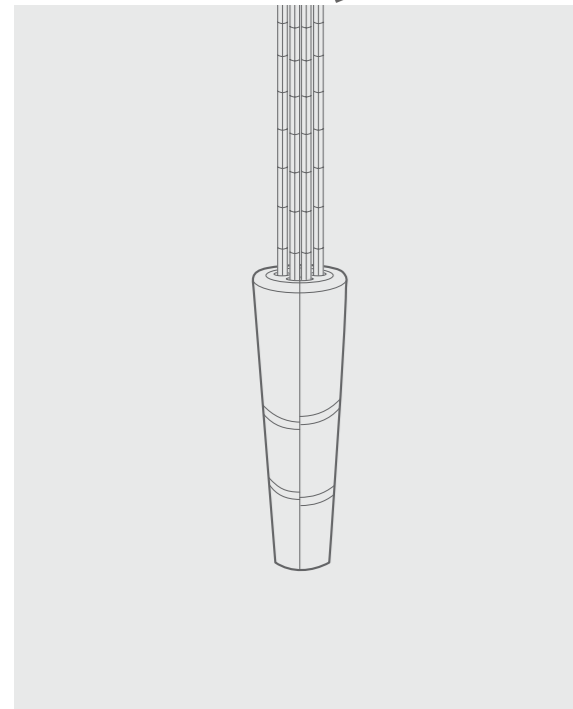
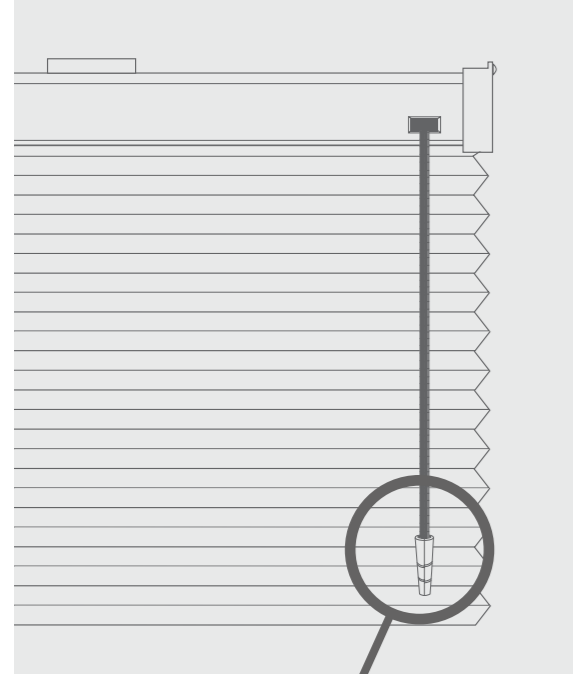


BREAKAWAY SAFETY TASSEL

Breakaway safety tassel is pre-fitted to the lift cords so that when a horizontal force is applied to the cords entering the tassel it safely breaks away eliminating any hazardous loops.



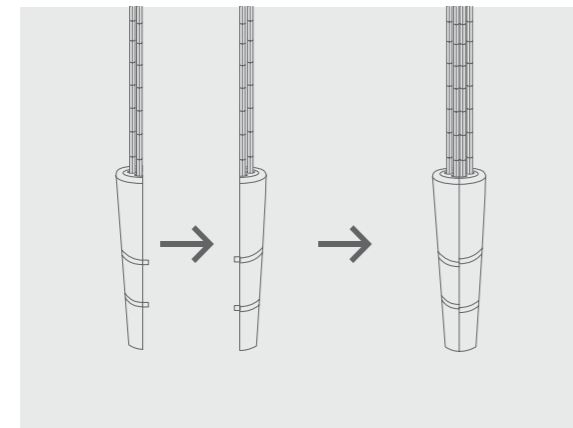
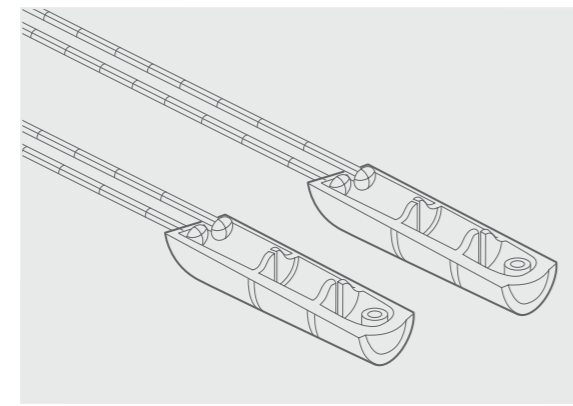
If the breakaway safety tassel is pulled apart:

Untangle and untwist cords.

For 2 cords: Press the breakaway safety tassel together until it is fully closed.

For 3 cords: Place the loose cord in the opening in one half of the breakaway safety tassel and press the breakaway safety tassel together until it is fully closed.

If there are any doubts that the breakaway safety tassel has not been re-attached correctly it can be tested by placing your arm between the cords and pressing downwards. The breakaway safety tassel should break apart with minimal force, if it does not breakaway tie cords out of reach of children and contact a reputable blind company to repair the blind.



FITTING INSTRUCTIONS: PRIME PLISSE CELLULAR

FITTING INSTRUCTIONS: PRIME PLISSE CELLULAR

PLEASE READ THE INSTRUCTIONS BEFORE OPERATING THIS PRODUCT

OPERATION INSTRUCTIONS

OPERATION

There is one cord control that will operate the blind.



To lower blind: Move lift cord towards middle of the blind pulling down gently until cord lock releases.

To raise blind: Pull lift cord downward until blind reaches desired height.

To lock cords: Pull lift cord towards the outside of the blind and release. Cord will lock automatically.

MAINTENANCE

The product is maintenance free however we recommend that regular visual checks are completed to ensure that no components have been damaged, which could result in operating difficulties and/or cause a safety risk.

If any maintenance is required we recommend that the work is carried out immediately, by a reputable blind company.

We recommend opening and closing your blind regularly to maintain the pleats in the fabric. Recommended that pleated blinds should be stacked overnight, at least once a week to maintain their pleat and shape.

CLEANING

To prevent blinds from becoming dirty, the blinds should be cleaned regularly with a feather duster.



make it safe

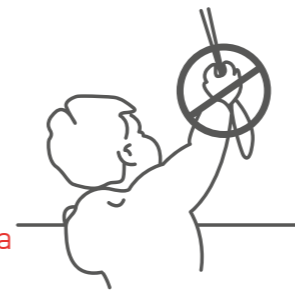
BBSA
BRITISH BLIND & SHUTTER ASSOCIATION

WARNING

Young children can be strangled by loops in pull cords, chains, tapes and inner cords that operate the product.

To avoid strangulation and entanglement, keep cords out of the reach of children. Cords may become wrapped around a child's neck. Move beds, cots and furniture away from window covering cords.

Do not tie cords together. Make sure cords do not twist and create a loop.

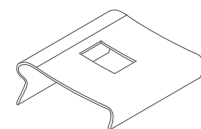


Prime Plisse Cellular
Free Hanging Bottom Up
Free Hanging Top down, Bottom Up.

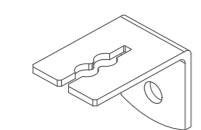
YOU SHOULD HAVE

PLEATED BLIND ITEM LIST

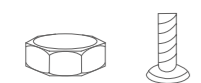
Top Fix Bracket



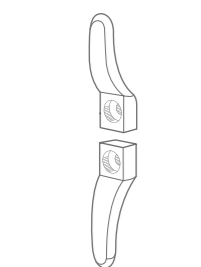
Face Fix Bracket



Nut & Bolt



Safety Device

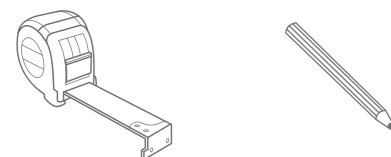


TOOLS REQUIRED

Screw driver Drill



Tape measure Pencil



STEP 1

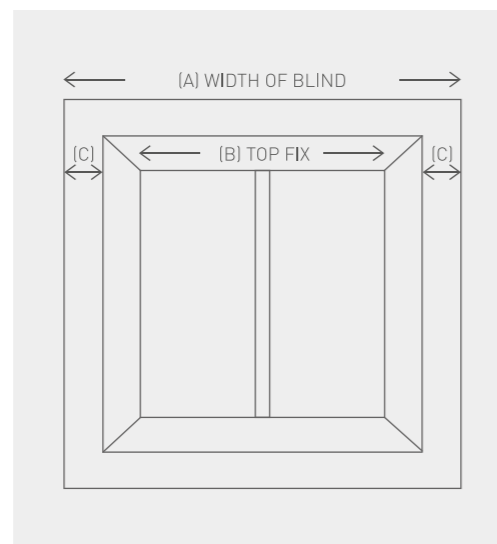
The installation height of this product should be conducted by someone competent in DIY.

OUTSIDE RECESS

If the blind is fitted outside the window, ensure that measurement C is the same. Follow instructions for FACE FIXING. To calculate C (A-B)/2.

INSIDE RECESS

TOP FIX to the lintel. FACE FIX bracket to the window frame.



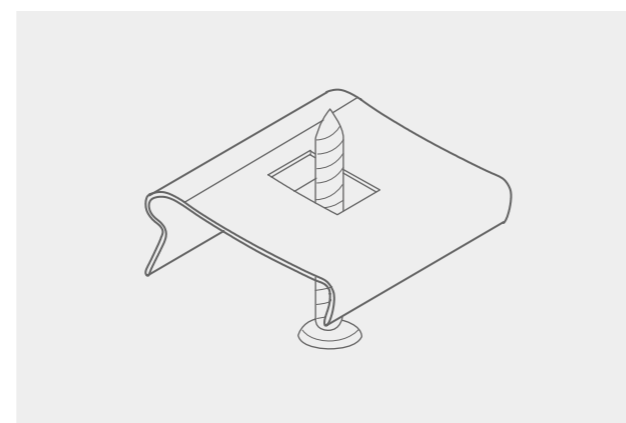
Children can strangle if a safety device is not installed. Always use a safety device to keep cords and chains out of reach of children.

STEP 2

The installation height of this blind must not be less than 1500mm from the floor.

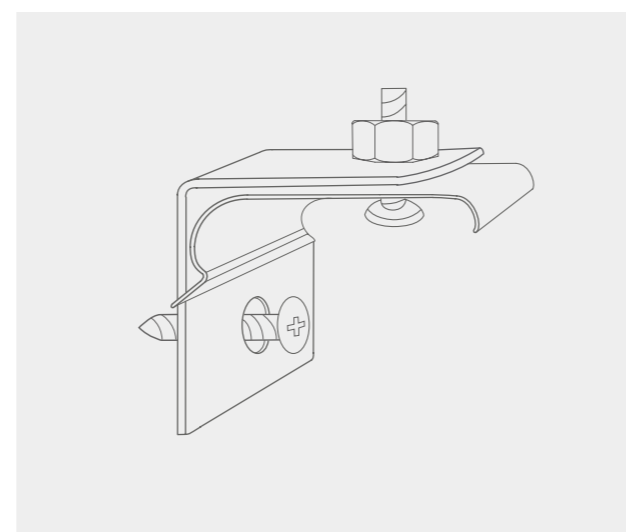
TOP FIXING

Measure and mark the distance between the wall and the back of the bracket, allowing for obstructions like handles that protrude into the recess area. The installation brackets (top and face fix) are positioned evenly along the width of the blind. Hold each bracket into place and mark the hole positions. Please ensure fixings are suitable for the wall/surface to which you are mounting the brackets.



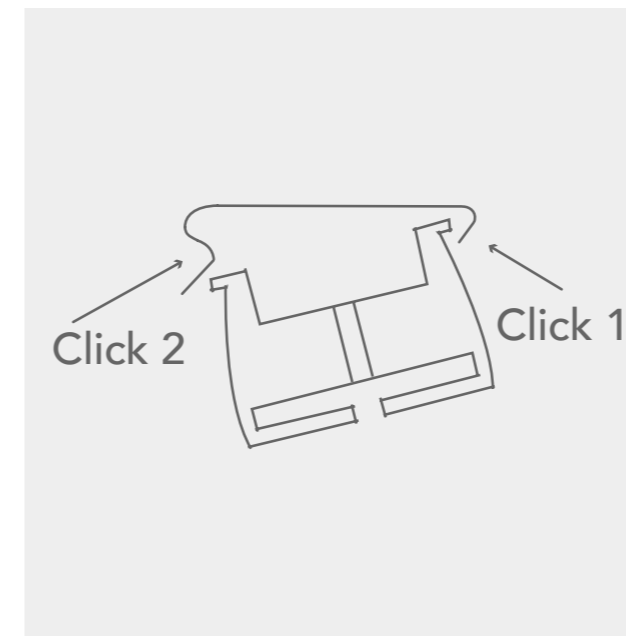
FACE FIXING

If face fixing profile use the additional bracket provided.



STEP 3

Feed the headrail into the brackets as shown and push headrail up at the rear until it clicks in place fully.



STEP 4

SAFETY DEVICE

Cord safety cleat - The safety cleat shall be installed as close to the headrail as possible and in all cases not less than 1500mm from the floor.

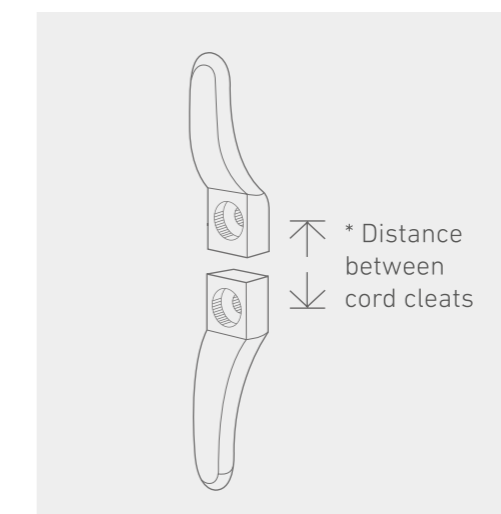
The Cord must be fully accumulated around the safety cleat(s) when the blind is not in use.

Use the table below to determine the distance required between the cleats to fully accumulate the cords when the blind is fully raised.

Drop of Blind	*Distance between cord cleats (centre to centre)
1-1000mm	100mm
1001-2000mm	150mm
2001-3000mm	300mm

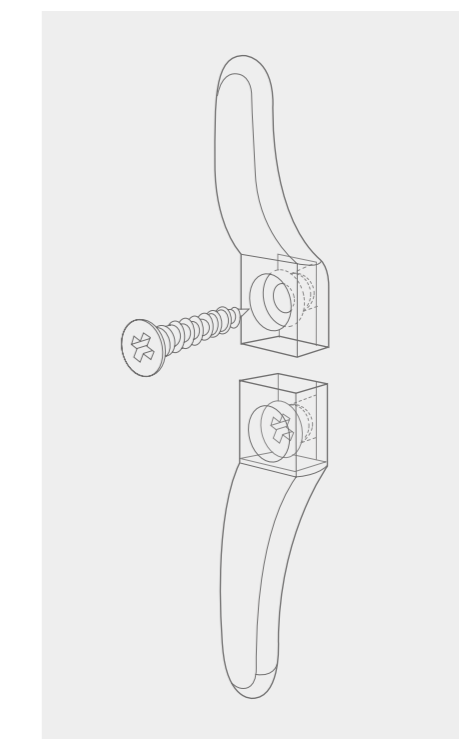
Place the safety cleat in the desired position on the wall and mark the positions of the holes with a pencil.

(Note: Based on cord up to 2.8mm, 17mm can be accumulated in total.)



Mark the hole positions and drill as required.

Use suitable screws to attach the safety cleat securely to the wall.



Wrap the cords around the cord cleats in a figure of 8.

When the cords are fully accumulated ensure they are secure so when any cord is pulled no excess cord is released.

