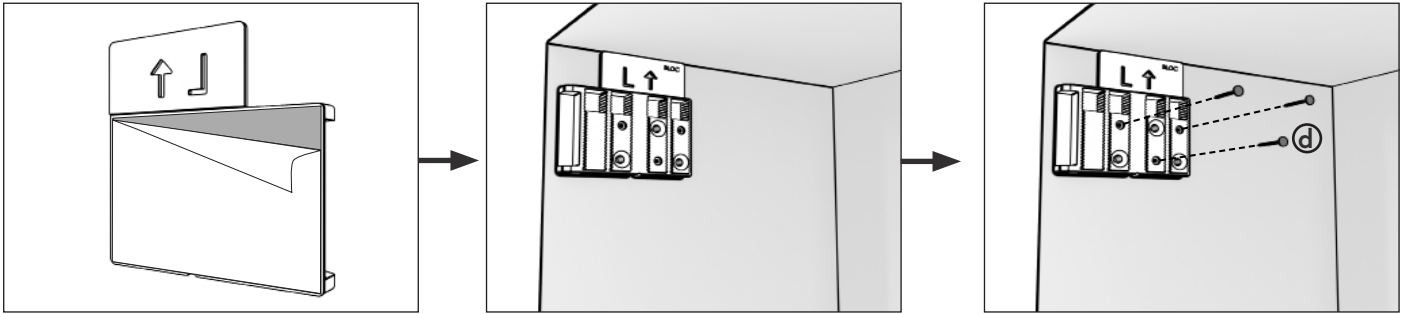
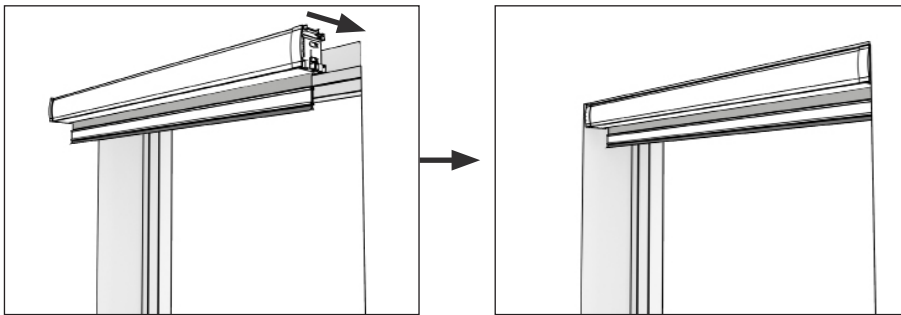


1 Fix guidedog (Side fix)



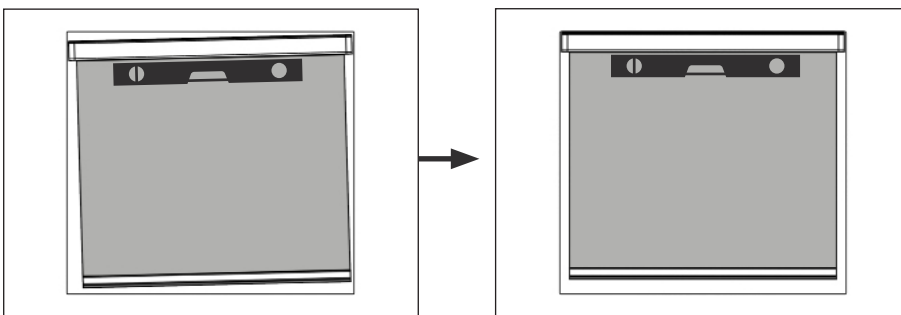
- Measure a minimum of 35mm or a sufficient distance from the window frame to avoid obstructions eg. window handles, while ensuring the bracket does not surpass the recess edge.
- Remove the adhesive tape from the guidedog and press firmly into position.
- Secure the guidedog using nail pins (d).
- Repeat on both sides.

2 Slide cassette into guidedog



- Align the cassette with the guidedog and press firmly.
- Ensure the cassette is secure before removing hands.

3 Check cassette is level

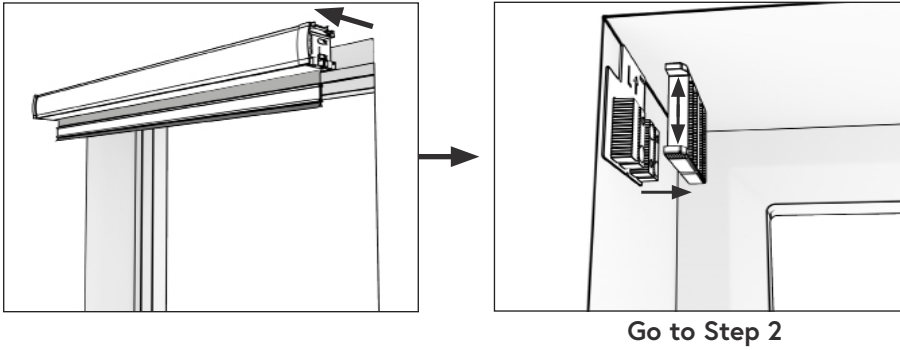


Go to Step 4

Go to Step 5

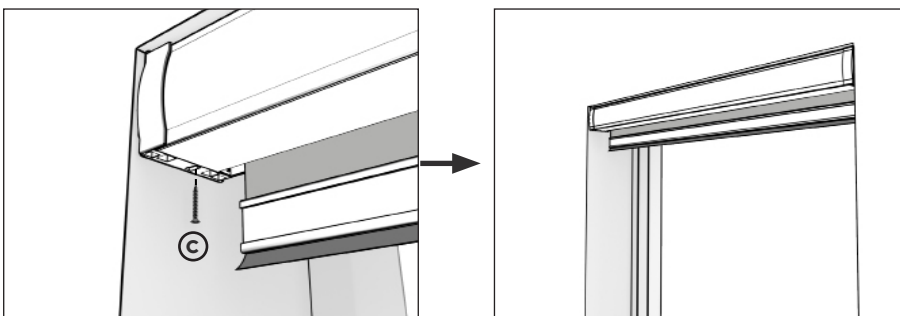
- Place a spirit level on the underside edge of the cassette (the metal casing of the blind) to check if the cassette is level.
- If the cassette is level proceed to step 5.
- If the cassette is not level proceed to step 4.

4 Adjust guidedog



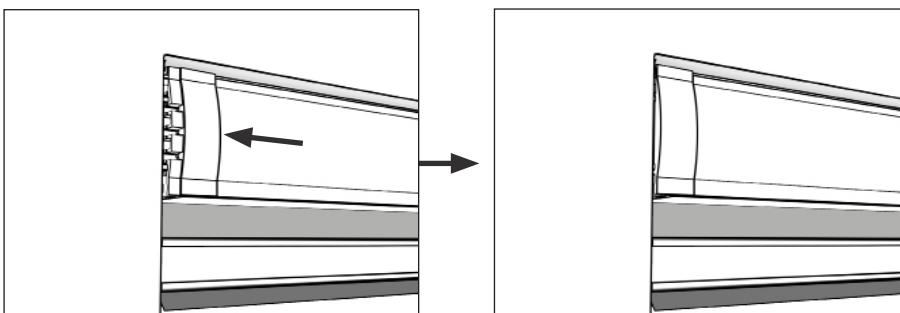
- Remove the cassette from the guidedog.
- Remove the adjustable insert from the guidedog and adjust accordingly to level the cassette.
- Return to step 2.

5 Secure cassette



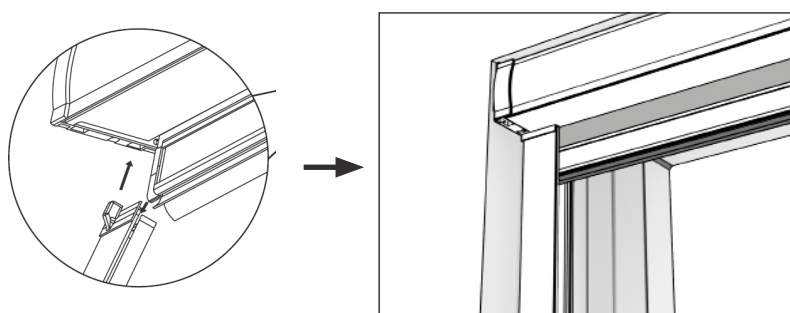
- Secure the cassette using screw (c).
- Repeat on both sides.

6 Adjust cassette end caps



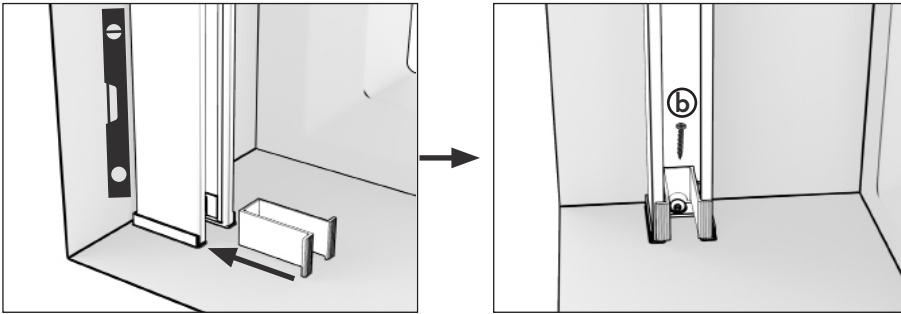
- Fit the end caps by pressing the covers into cassette.
- Adjust the end caps by sliding them to seal the gap between the recess.

7 Slide siderail into cassette



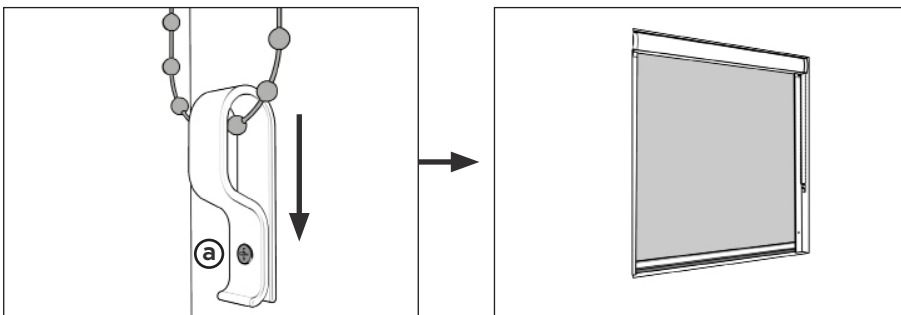
- Slide fabric into the wide channel of the siderail.
- The top of the siderail should clip into the cassette.

8 Secure siderails



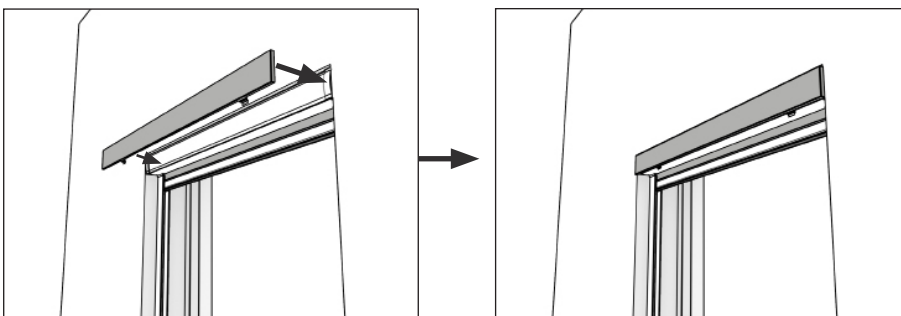
- Ensure the siderail is vertically level.
- Insert the screw guide into the siderail and secure using screw (b).
- Remove screw guide.
- Repeat siderail steps on both sides.

9 Secure P-clip (Manual blind)



- Secure P clip to the wall recess using screw (a).

10 Clip on pelmet (Optional)

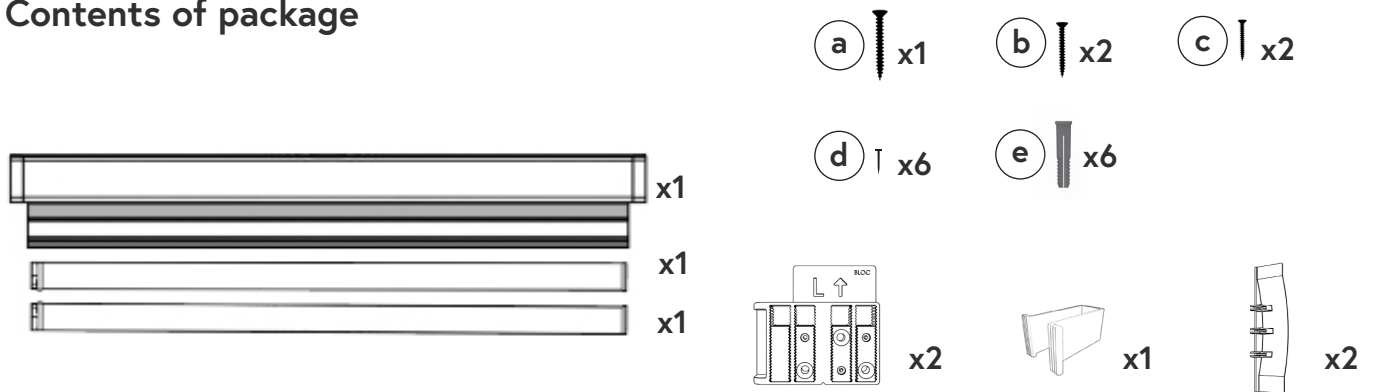


- Hook the top of the pelmet to the cassette.
- Press firmly on the bottom of the pelmet until it clips into position.

Tools needed



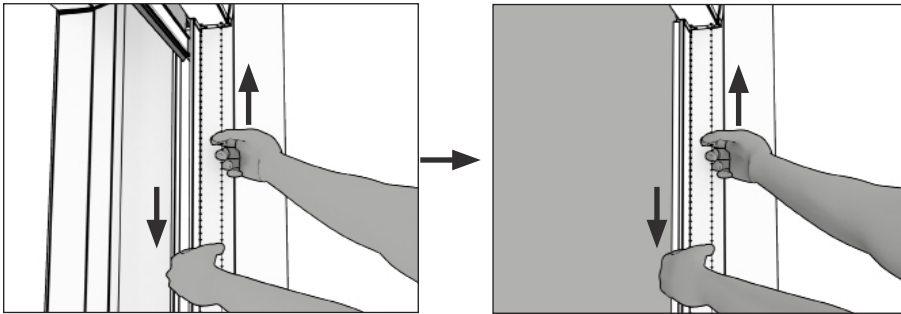
Contents of package



The rawl plugs provided may be used depending on the wall type.

How to operate

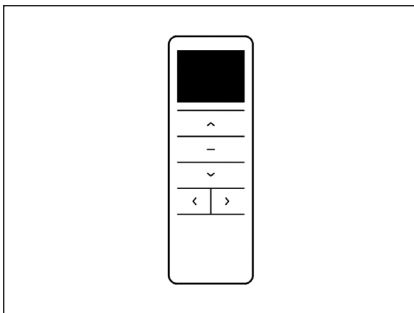
Manual Operation - Always use two hands to lower and raise the blind.



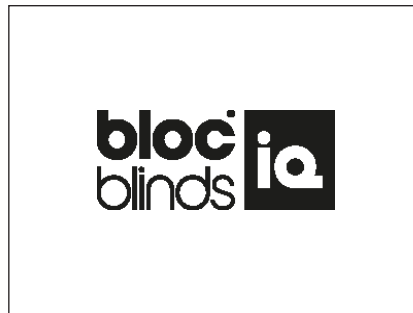
- Pull chain downwards with one hand and feed the chain upwards with the other.
- Avoid pulling sharply on the chain to prevent breakage.

Motorised Operation

Remote control



Bloc iQ Smart System



- Motorised Blinds are operated using the remote control or Bloc iQ Smart System, please refer to those instructions for direction.



BLC-1232



BlocOut XL - Manual + Motorised

Inside of Recess Fit