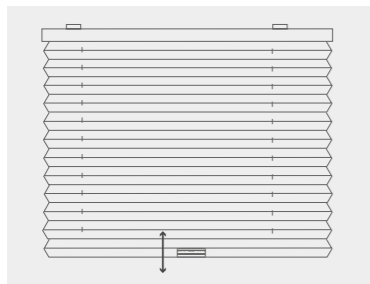


PLEASE READ THE INSTRUCTIONS BEFORE OPERATING THIS PRODUCT

OPERATION INSTRUCTIONS

OPERATION



To lower blind: Pull handle downward until blind reaches desired height.

To raise blind: Lift handle upwards until the blind reaches desired height.

MAINTENANCE

The product is maintenance free however we recommend that regular visual checks are completed to ensure that no components have been damaged, which could result in operating difficulties and/or cause a safety risk.

If any maintenance is required, we recommend that the work is carried out immediately by a reputable blind company.

We recommend opening and closing your blind regularly to maintain the pleats in the fabric. Recommended that pleated blinds should be stacked overnight, at least once a week to maintain their pleat and shape.

CLEANING

To prevent blinds from becoming dirty, the blinds should be cleaned regularly with a feather duster.

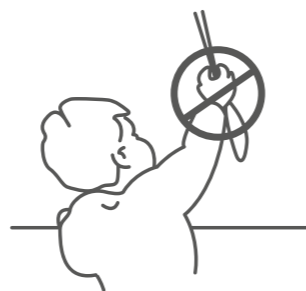


WARNING

Young children can be strangled by loops in pull cords, chains, tapes and inner cords that operate the product.

To avoid strangulation and entanglement, keep cords out of the reach of young children. Cords may become wrapped around a child's neck. Move beds, cots and furniture away from window covering cords.

Do not tie cords together. Make sure cords do not twist and create a loop.

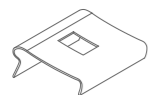


Prime Plisse Cellular
Day and Night - Bottom Up
Tensioned Bottom Up.

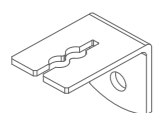
YOU SHOULD HAVE

PLEATED BLIND ITEM LIST

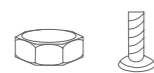
Top Fix Bracket



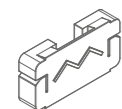
Face Fix Bracket



Nut & Bolt



Cord Fastener



Window Fastener



TOOLS REQUIRED

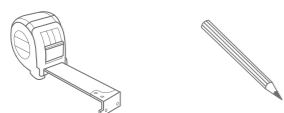
Screw driver

Drill



Tape measure

Pencil



STEP 1

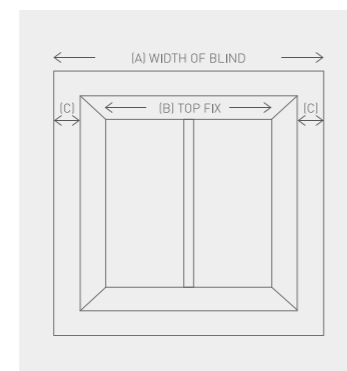
The installation height of this product should be conducted by someone competent in DIY.

OUTSIDE RECESS

If the blind is to be fitted outside the window, ensure that measurement C is the same. Follow instructions for FACE FIXING. To calculate C $(A-B)/2$.

INSIDE RECESS

TOP FIX to the lintel. FACE FIX bracket to the window frame.

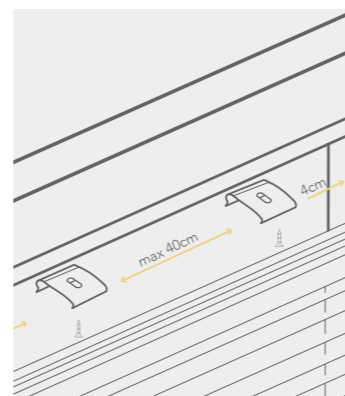
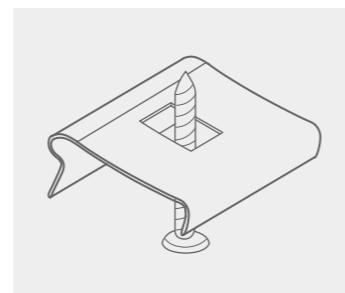


Children can strangle if a safety device is not installed. Always use a safety device to keep cords and chains out of reach of children.

STEP 2

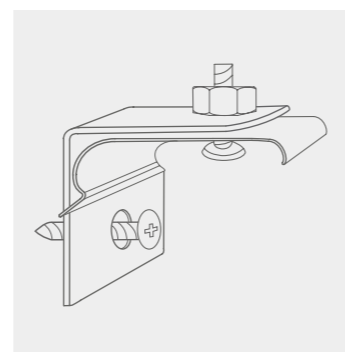
TOP FIXING

Measure and mark the distance between the wall and the back of the bracket, allowing for obstructions like handles that protrude into the recess area. The installation brackets (top and face fix) are positioned evenly along the width of the blind. Hold each bracket into place and mark the hole positions. Please ensure fixings are suitable for the wall/surface to which you are mounting the brackets.



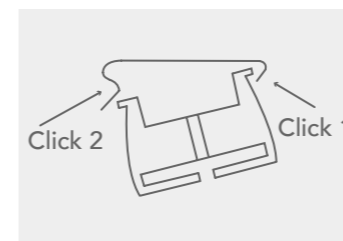
FACE FIXING

If face fixing profile use the additional bracket provided.



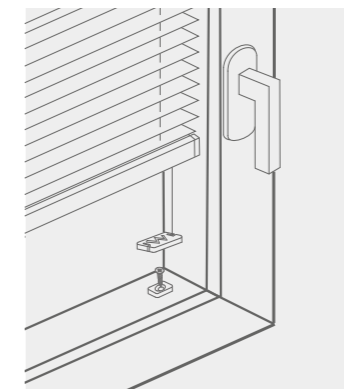
STEP 3

Feed the headrail into the bracket as shown and push headrail up at the rear until it clicks in place fully.

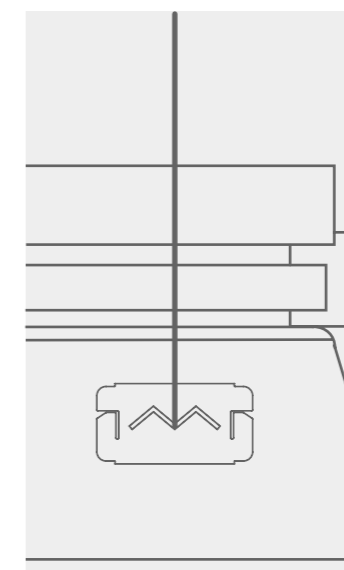


STEP 4

Pull the blind down and mark with pencil where the cord brackets should be placed at the bottom of the blind.



When marked out, use suitable screws to attach the window fastener in each corner.



Locate cord fastener into window fastener. If the cord is not tight/loose adjust by repositioning cord knot in cord fastener.